

User manual for BROEN BALLOMAX® branching valve

BROEN BALLOMAX® branch valves are used in underground pipe lines, where extensions of strings are planned.

The branch valve can only be mounted on systems, which are without media and hereby pressure less. If the pipeline which upon a valve is to be welded is under pressure, then the BROEN BALLOMAX® hot tapping valves are recommended to be used.

The branch valve is not a traditional service valve and if there are more operations to be done, it is recommended to use BROEN BALLOMAX® shut off valves instead.

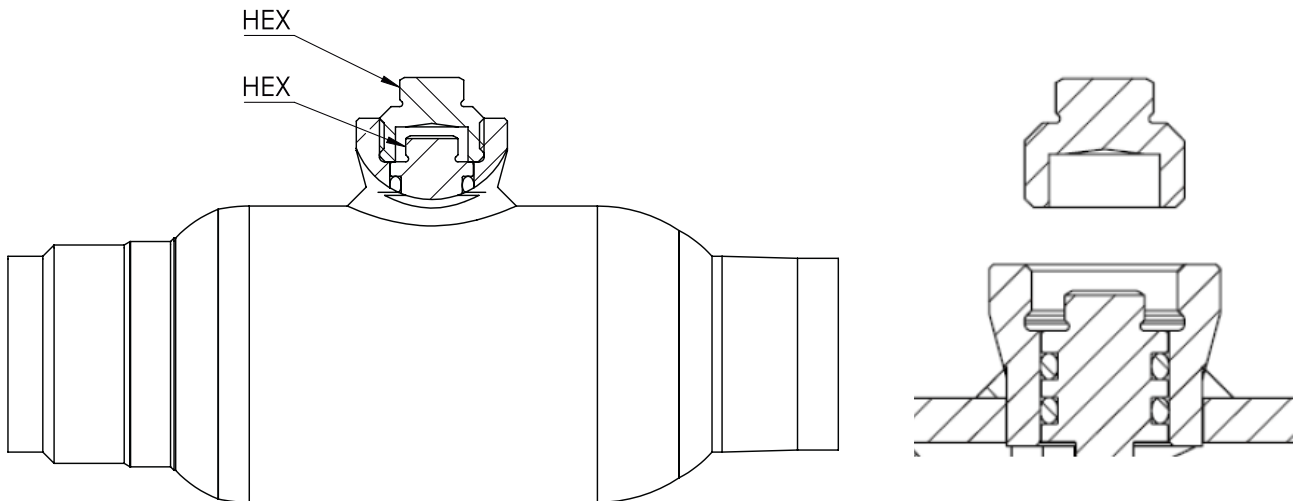
The installation is done by firstly exposing a piece of the pipeline. A hole of the size of the connection of the branch valve is drilled. After installation a pressure test is carried out to test the tightness of the welding.

A piece of a pipe is welded on (welding ends) or mounted (threaded ends), which is closed with a plug. After that, it is ensured that the valve is in fully open position. The branch valve is mounted on the pipe line and if it is not to be used immediately, it can be insulated and wait until it is to be used. If the valve is not to be used for longer period of time, BROEN recommends that the valve is not used as an endstop valve, but that a plug is mounted after the valve. A longer period of time means exceeding 1 year before use. The valve can begin leaking with wrong use, as the seats will be damaged from pressure changes in the pipe line over time.

NB: The branch valves are not be used as end stop valves.

The stem has a notch as position indication of the valve.

When the extension is to be used, the branch valve is closed for work on the pipe line extended. After work on the pipe line the branch valve is reopened and the new pipe line is in use.



Instructions for BROEN BALLOMAX® hot tapping valves and branch valves

The hexagon for operation of the valve is placed under the plug.

This hexagon is marked with the direction of the ball. The operation is done over 90° from open to close. The operation is done with a hexagon key.

Hot tapping valves and branch valves are equipped with end stops.

BROEN recommends, that the top pipe plug for a short time can be tightened with PTFE tape and Locktite 577.

After the final operation the top of the valves are to be welded shut permanently.

Our brand is our promise

BROEN
VALVE TECHNOLOGIES

BROEN VALVE TECHNOLOGIES

BROEN is a leading international manufacturer of valve technology and we operate on three continents across the world with key markets in Europe, China and USA.

For more than 75 years BROEN has been the global leader in the development and production of valve technology for the control of water, air and gas. BROEN delivers complete solutions for HVAC building installations and is a leading supplier of district energy valves and valve technology for natural gas.

We know application and valve technology in depth and in close dialogue with our customers and partners all over the world we create value and reliability with proven valves offering full quality assurance.

BROEN is headquartered in Assens, Denmark and is part of Aalberts N.V. listed on the EuroNext Stock Exchange (NL).

Read more at: www.broen.com

Sales- and productions sites ●

BROEN A/S, Assens (DK)
BROEN POLAND, Dzierżoniów (PL)
BROEN POLAND, Rogoźno (PL)
BROEN INC., Houston (US)
BROEN Clorius, Dzierżoniów (PL)

Sales companies and offices ○

BROEN Assens (DK)
BROEN Helsinki (FI)
BROEN SEI, Bucharest (RO)
BROEN Beijing (CN)
BROEN Clorius, Shanghai (CN)



For further information,
scan this QR code or visit
www.broen.com