

SECTION 12

Hot tap valve

Full bore

BROEN
BALLOMAX®

Designed to last

Hot tap valve - DN 15 - 100, PN 25

Type 68602 - Full bore

Welding × Welding

Fully welded steel ball valve.

Materials

See next page.

Applications

Hot tap valve for heating systems, district heating, cooling and industrial purpose.

Media

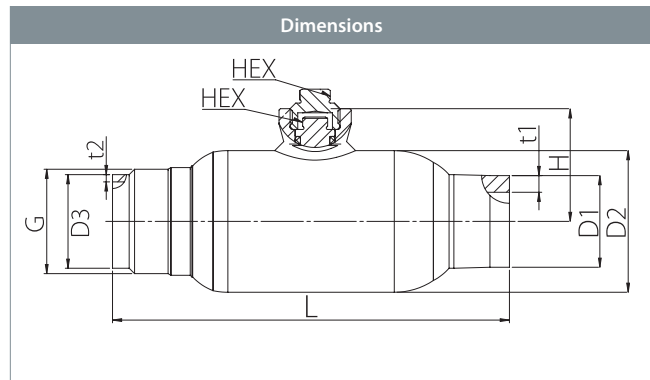
Water. Not suitable for steam. Other media on request. If in doubt, please contact BROEN BALLOMAX® Sales Department.

Operation

Hot tap valve with a cap screw and a hexagon for a HEX top. The spindle has a notch for indication of position.

Notice

It is recommended that you read the "User manual for BROEN BALLOMAX® hot tap tool".



DN	BROEN No.	Bore	Kvs	net Weight kg	All dimensions in mm								
					HEX	L	H	t1	t2	D1	D2	D3	G
15	68602015S748000	15	32	0,7	10	130	43,3	5,4	2,0	42,4	26,8	21,3	G7/8"
20	68602020S748100	20	57	1,2	10	143	47,6	6,0	2,3	51,0	33,0	26,9	G1 1/8"
25	68602025S748200	25	81	1,7	10	150	51,3	6,0	2,6	57,0	38,0	33,7	G1 1/2"
32	68602032S748300	32	133	2,5	10	188	61,2	6,9	2,6	76,1	47,8	42,4	G1 3/4"
40	68602040S748400	39	229	4,1	10	230	66,5	7,0	2,6	88,9	56,0	48,3	G2 1/4"
50	68602050S748500	49	295	6,1	13	271	77,0	7,5	2,9	108,0	64,0	60,3	G2 1/4"
65	68602065S748600	63	498	8,1	13	265	87,6	8,0	2,9	127,0	80,5	76,1	M80x3
80	68602080S748700	78	754	12,7	19	284	103,1	9,0	3,2	152,4	97,0	88,9	M95x2
100	68602100S748800	98	1159	17,9	19	367	120,0	9,0	3,6	177,8	117,0	114,3	M120x3

Note

HEX = hexagon - SW in mm

Hot tap valve - DN 15 - 100, PN 25

Type 68602 - Full bore



Technical drawing		Material description	
	1	Welding	Steel - P235GH / 1.0345 / EN 10217-2
	5	Valve body	Steel - P235GH / 1.0345 / EN 10217-2
	6	Ball	Stainless steel - AISI304L / 1.4306 / EN 10217-7
	7	Seat ring	PTFE 20% Carbon
	8	Back-up ring	Steel - DC01 / 1.0330 / EN 10130
	9	Disc spring	Steel - C75S / 1.1248 / EN 10132-4
	11	Stem guide	Steel - S355J2+N / 1.0570 / EN 10025-2
	12	Stem	Stainless steel - ASTM420 / 1.4021 / EN 10088-3
	17	O-ring	FPM70
	37	Pipe plug	Steel - S355J2+N / 1.0570 / EN 10025-2

