

## **SECTION 7**

Flexible main stop valves

**BROEN**  
BALLOMAX®

*Designed to last*

# Flexible main stop valve - DN 15 - 20, PN 25

Type 69600 - Full bore

**Female x Female**

Flexible main stop valve.

**Materials**

Fully welded ball valve with threaded ends.

**Applications**

Heating systems and district heating.

**Surface treatment**

Eco-friendly protection finish against corrosion.

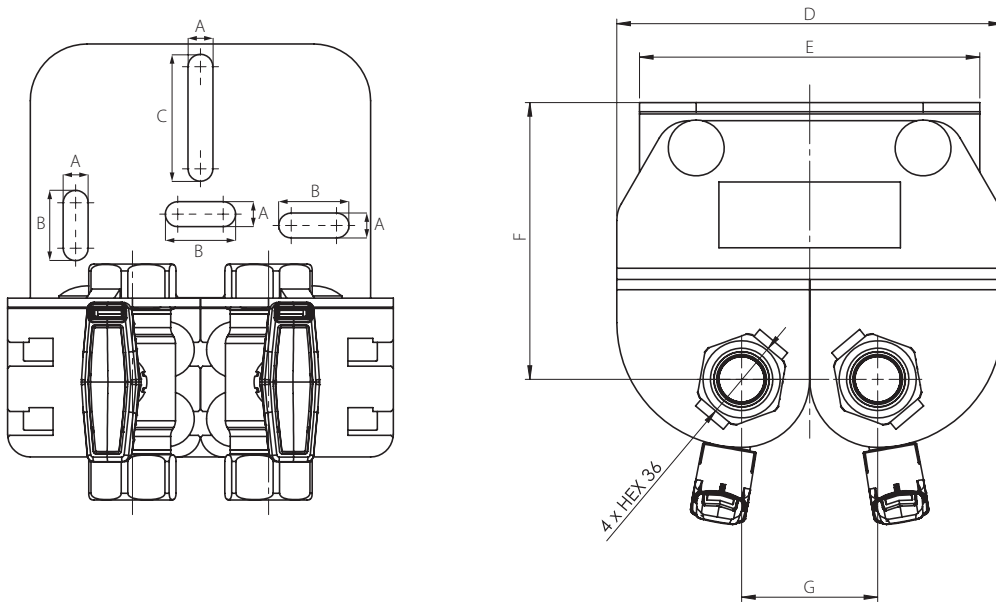
**Notice**

Delivered with insulation shells as standard.

Fits both twinpipe and singlepipe.



Dimensions



		All dimensions in mm							
DN	BROEN No.	A	B	C	RG	D	E	F	G
15	69600015 025I	11	31	56	½"	170	150	122-143	60-225
20	69600020 025I	11	31	56	¾"	170	150	122-143	60-225

# Flexible main stop valve - DN 15 - 20, PN 25

Type 69601 - Full bore

**Welding × Female**

Flexible main stop valve.

**Materials**

Fully welded ball valve with threaded and welding ends.

**Applications**

Heating systems and district heating.

**Surface treatment**

Eco-friendly protection finish against corrosion.

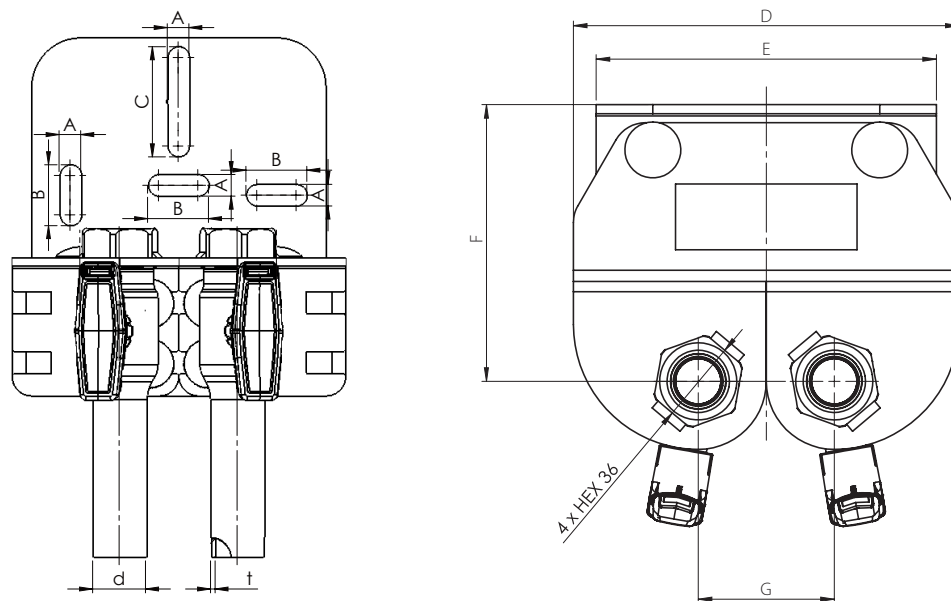
**Notice**

Delivered with insulation shells as standard.

Fits both twinpipe and singlepipe.



Dimensions



		All dimensions in mm							
DN	BROEN No.	A	B	C	RG	D	E	F	G
15	69601015 025I	11	31	56	1/2"	170	150	122-143	60-225
20	69601020 025I	11	31	56	3/4"	170	150	122-143	60-225

# Flexible main stop valve - DN 15 - 20, PN 25

Type 69602 - **Full bore**

**Welding × Welding**

Flexible main stop valve.

**Materials**

Fully welded ball valve with welding ends.

**Applications**

Heating systems and district heating.

**Surface treatment**

Eco-friendly protection finish against corrosion.

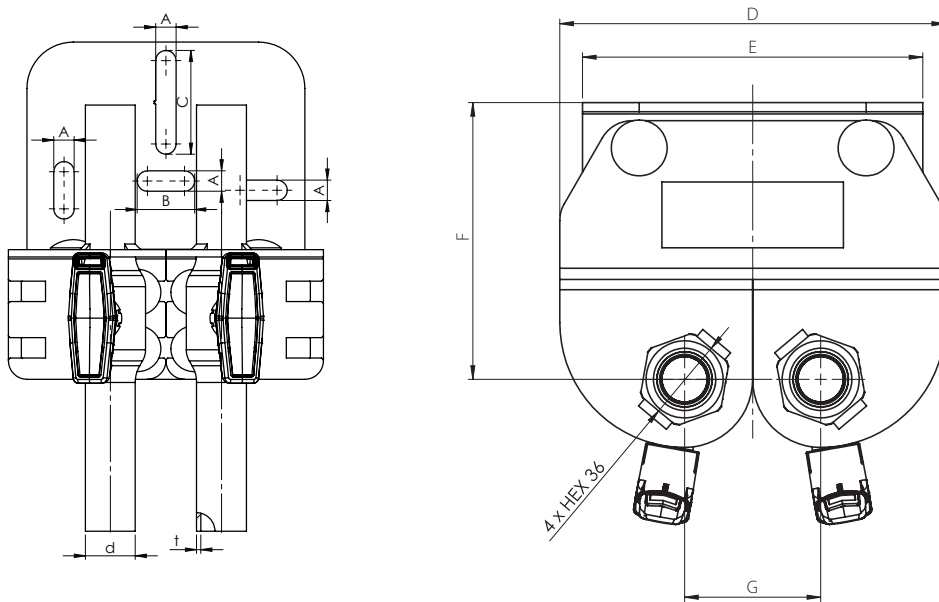
**Notice**

Delivered with insulation shells as standard.

Fits both twinpipe and singlepipe.



Dimensions



		All dimensions in mm							
DN	BROEN No.	A	B	C	RG	D	E	F	G
15	69602015 0251	11	31	56	½"	170	150	122-143	60-225
20	69602020 0251	11	31	56	¾"	170	150	122-143	60-225

# Flexible main stop valve - DN 20 - 25, PN 16

## Type 69603 - Full bore

### Female x Copper

Flexible main stop valve.

### Materials

Fully welded ball valve with threaded and copper ends.

### Applications

Heating systems and district heating.

### Surface treatment

Eco-friendly protection finish against corrosion.

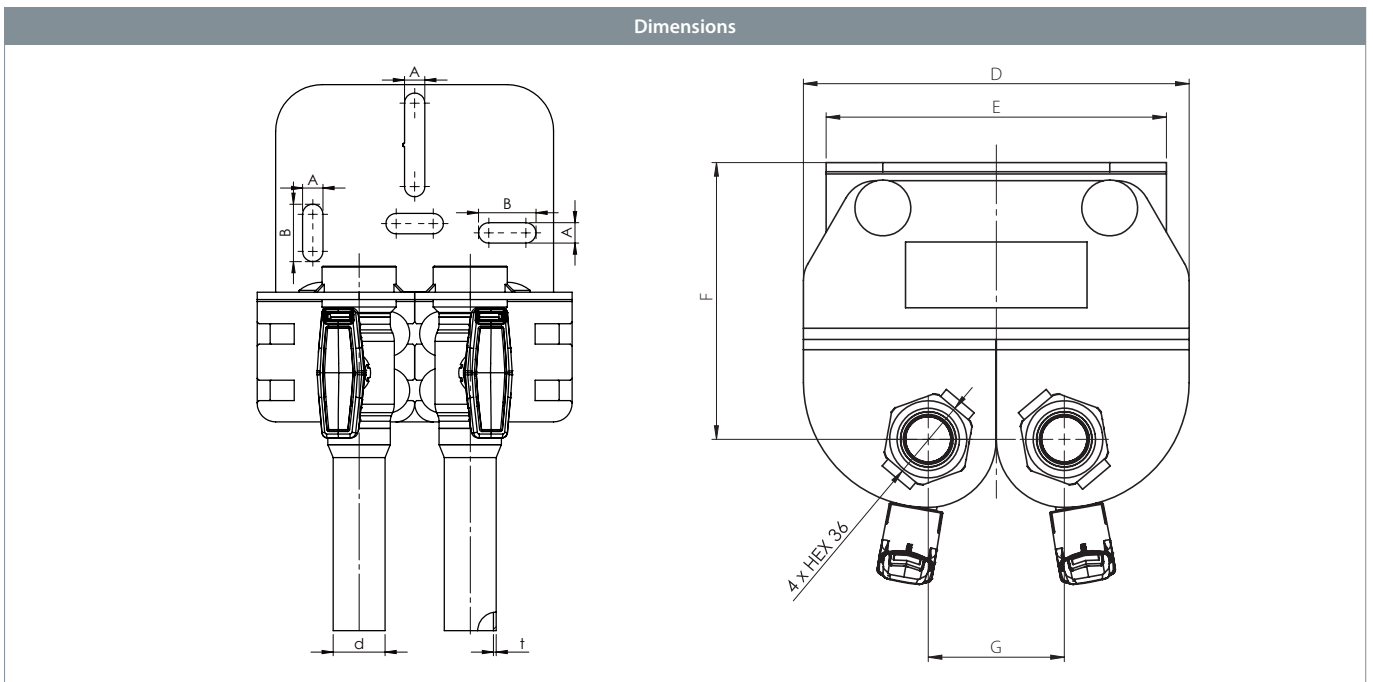
### Notice

Delivered with insulation shells as standard.

Fits both twinpipe and singlepipe.



Dimensions



		All dimensions in mm							
DN	BROEN No.	A	B	C	RG	D	E	F	G
20	69603020 025I	11	31	56	¾"	170	150	122-143	60-225
25	69603025 025I	11	31	56	1"	170	150	122-143	60-225

# Flexible main stop valve - DN 20 - 25, PN 25

Type 69600S - Reduced bore

**Female x Female**

Flexible main stop valve.

**Materials**

Fully welded ball valve with threaded ends.

**Applications**

Heating systems and district heating.

**Surface treatment**

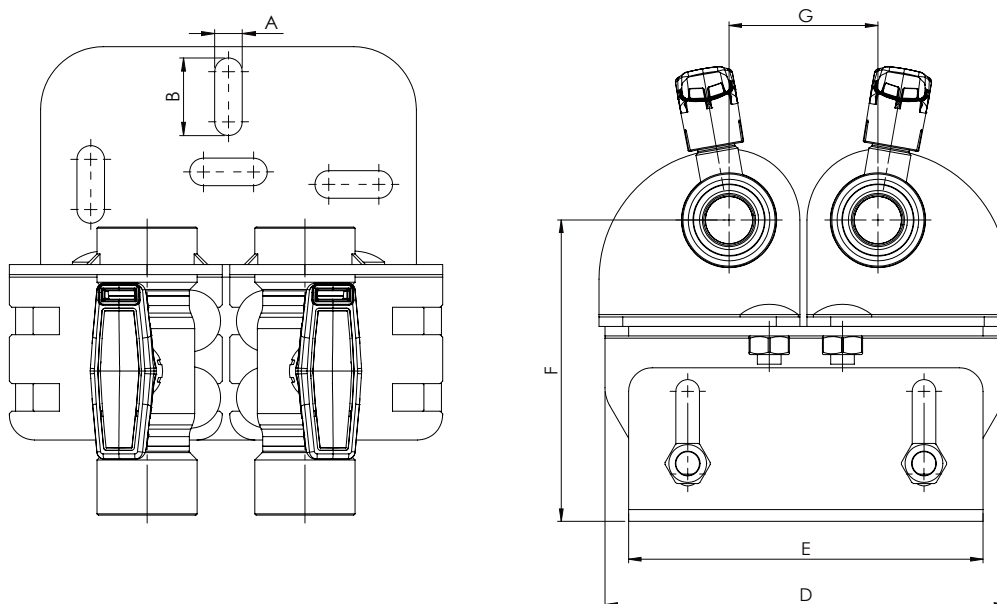
Eco-friendly protection finish against corrosion.

**Notice**

Fits both twinpipe and singlepipe.



Dimensions



WITH INSULATION SHELLS		All dimensions in mm						
DN	BROEN No.	A	B	RG	D	E	F	G
20	69600020S78580I	11	31	¾"	170	150	128-158	61-176
25	69600025S78600I	11	31	1"	170	150	128-158	61-176
WITHOUT INSULATION SHELLS		All dimensions in mm						
20	69600020S785800	11	31	¾"	170	150	128-158	61-176
25	69600025S786000	11	31	1"	170	150	128-158	61-176

# Flexible main stop valve - DN 20 - 25, PN 25

## Type 69600S - Reduced bore

### Female x Female

Flexible main stop valve for cabinet.

### Materials

Fully welded ball valve with threaded ends.

### Applications

Heating systems and district heating.

### Surface treatment

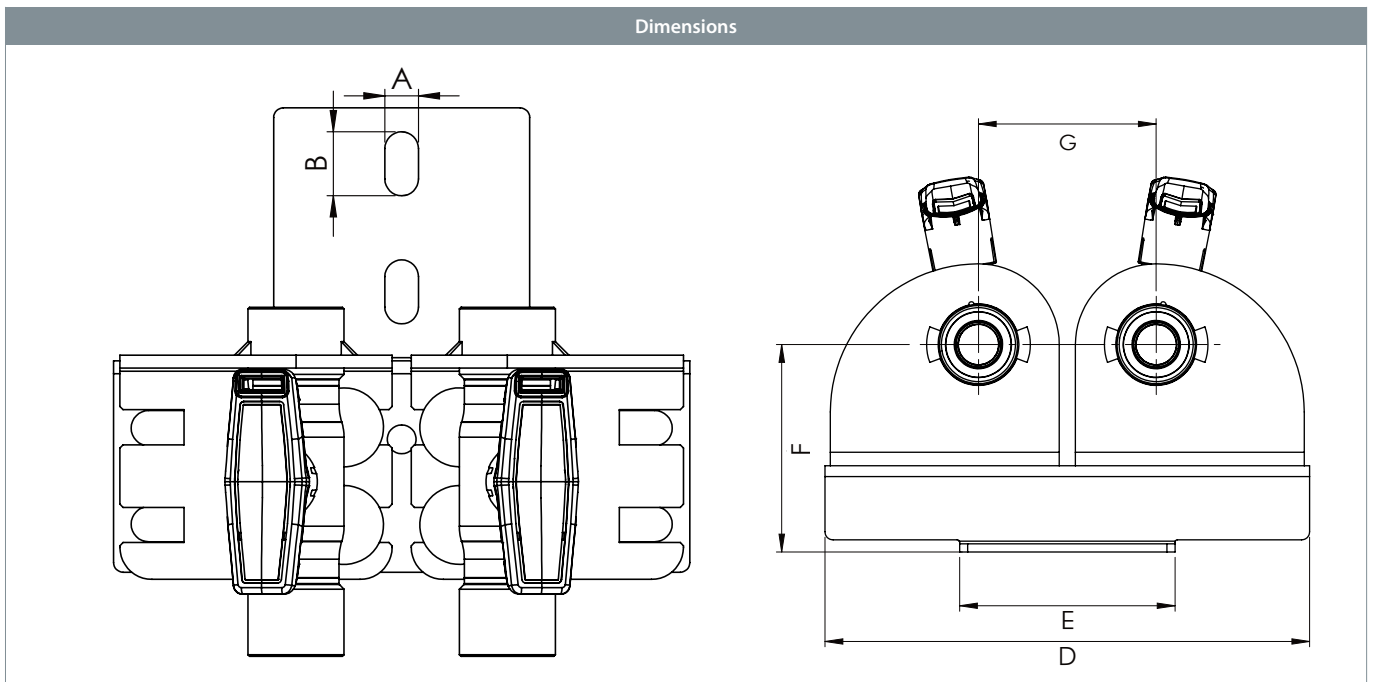
Eco-friendly protection finish against corrosion.

### Notice

Fits both twinpipe and singlepipe.



Dimensions



WITH INSULATION SHELLS		All dimensions in mm						
DN	BROEN No.	A	B	RG	D	E	F	G
20	69600020S785701	10,5	20	¾"	180	80	77	66-168
25	69600025S785901	10,5	20	1"	180	80	77	66-168
WITHOUT INSULATION SHELLS		All dimensions in mm						
20	69600020S785700	10,5	20	¾"	180	80	77	66-168
25	69600025S785900	10,5	20	1"	180	80	77	66-168

# Flexible main stop valve - DN 20 - 25, PN 16

Type 69603S - Reduced bore

**Female x Copper**

Flexible main stop valve for cabinet.

**Materials**

Fully welded ball valve with threaded and copper ends.

**Applications**

Heating systems and district heating.

**Surface treatment**

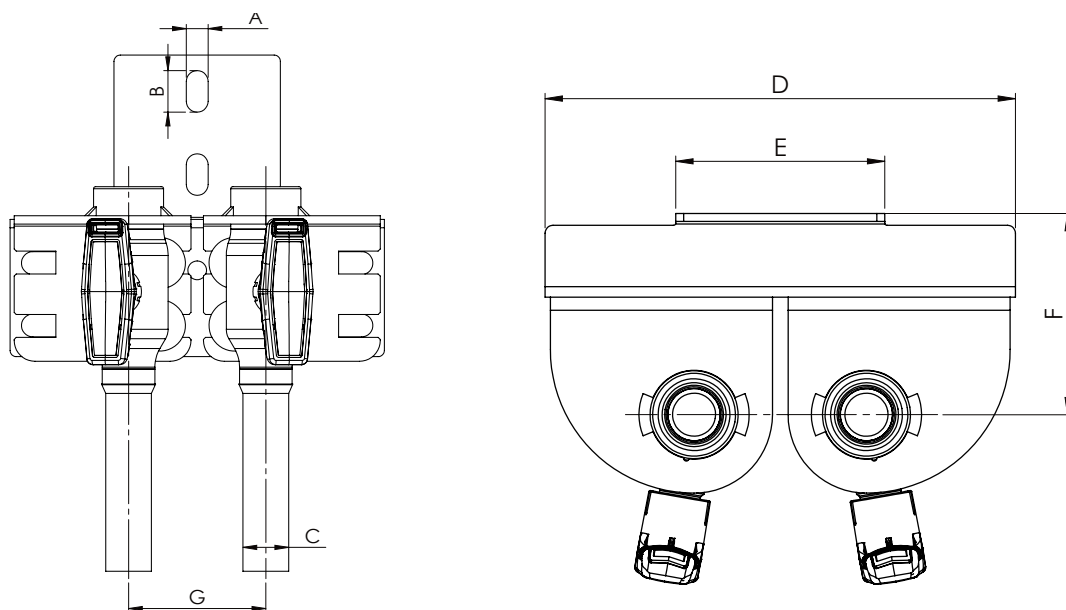
Eco-friendly protection finish against corrosion.

**Notice**

Fits both twinpipe and singlepipe.



Dimensions



WITH INSULATION SHELLS		All dimensions in mm						
DN	BROEN No.	A	B	C	D	E	F	G
20	69603020S78670I	10,5	20	22x1	180	80	77	66-168
25	69603025S78690I	10,5	20	28x1,5	180	80	77	66-168
WITHOUT INSULATION SHELLS		All dimensions in mm						
20	69603020S78670I	10,5	20	22x1	180	80	77	66-168
25	69603025S78690I	10,5	20	28x1,5	180	80	77	66-168



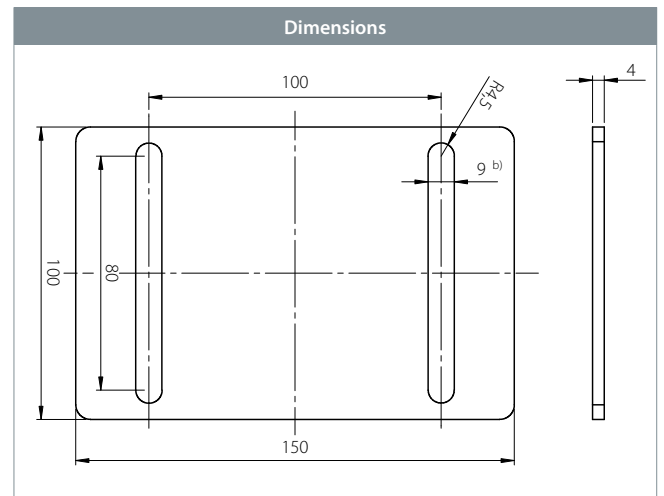
# Bracket for extention - DN 15 - 32

Type 316...

## Bracket for extention

### Surface treatment

Eco-friendly protection finish against corrosion.



DN	BROEN No.	Width - mm	Height - mm	Depth - mm
15 - 25	316800	150	100	4

## Insulation shells - DN 15 - 20

Type 600...

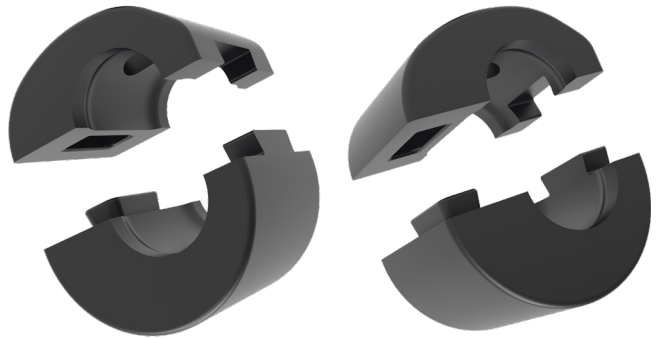
Insulation shells for flexible main stop valves

### Materials

Materials:	Polyuretan - black
Class:	B2 iht. DIN 4102
Weight:	55-60 kg/m <sup>2</sup>
Thermal conductivity:	0,029 W7mK
Temperature:	Max. 130°C (short term 140°C)

### Applications

For insulation of BROEN flexible main stop valves DN 15 - 20FB and DN 20 - 25RB. Set consisting of 2 +2 polyurethan half shells for assembly on flexible main stop valves.



DN	BROEN No.
15FB & 20RB	600825
20FB & 25RB	600826

## T-handle - DN 15 - 25

Type 66050



DN	BROEN No.	H - mm	L - mm	B - mm
15 - 25	9015550022	33	70	24.5

## Lock fitting - DN 15 - 20FB

Type 600749



DN	BROEN No.
15 - 20 FB	600749