

SECTION 7 FLEXIBLE MAIN STOP VALVES

BROEN
BALLOMAX®

Designed to last

Flexible main stop valve - DN15-20, PN25

Type 69600 - Full bore

Female x Female

Flexible main stop valve.

Materials

Fully welded ball valve with weldign ends.

Applications

Heating systems and district heating.

Surface treatment

Eco-friendly protection finish against corrosion.

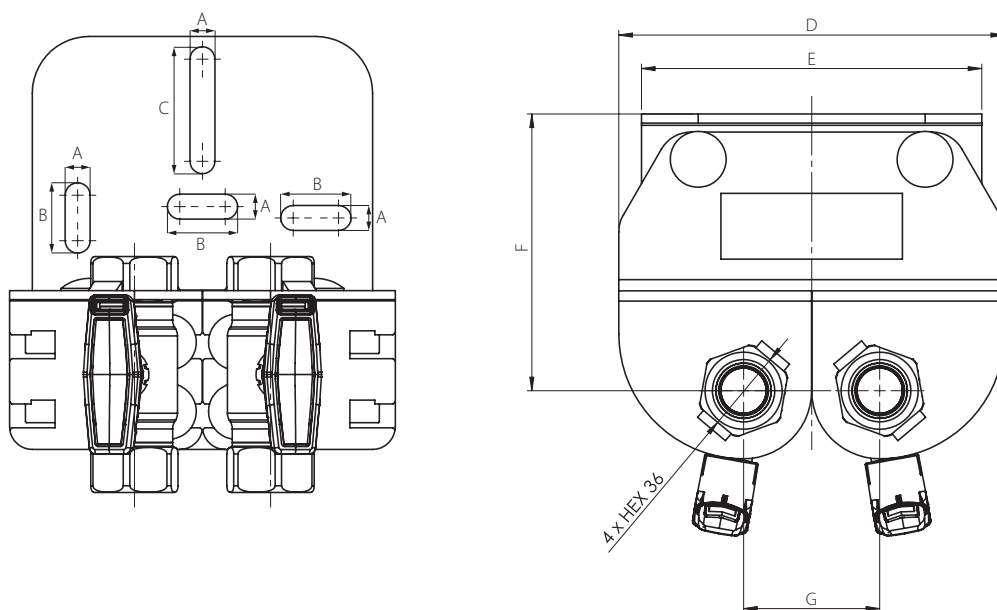
Notice

Delivered with insulation shells as standard. DN25 on request.

Fits both twinpipe and singlepipe.



Dimensions



		All dimensions in mm							
DN	BROEN No.	A	B	C	RG	D	E	F	G
15	69600015 025I	11	31	56	½"	170	150	122-143	60-225
20	69600020 025I	11	31	56	¾"	170	150	122-143	60-225

Flexible main stop valve - DN15-20, PN25

Type 69601 - Full bore

Welding × Female

Flexible main stop valve.

Materials

Fully welded ball valve with weldign ends.

Applications

Heating systems and district heating.

Surface treatment

Eco-friendly protection finish against corrosion.

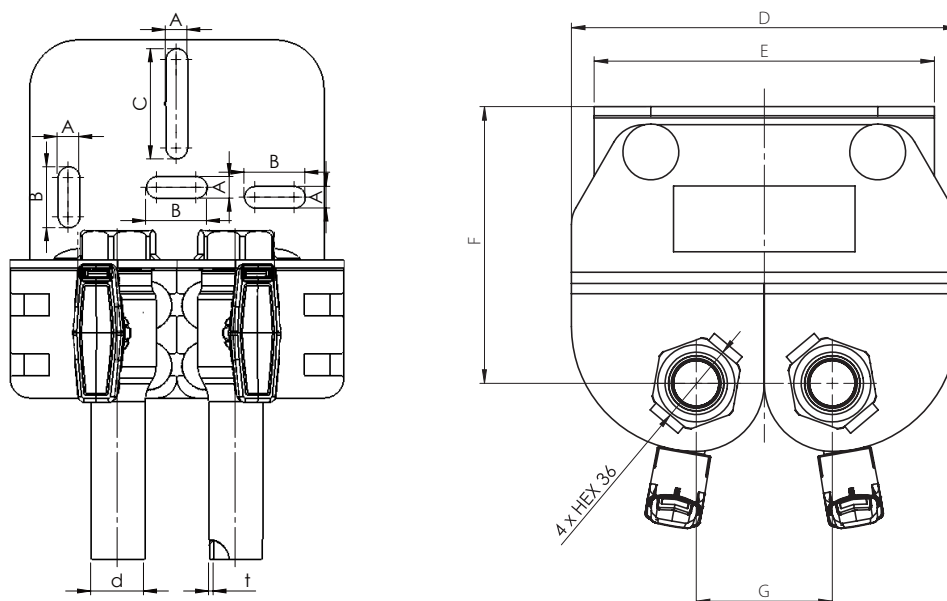
Notice

Delivered with insulation shells as standard. DN25 on request.

Fits both twinpipe and singlepipe.



Dimensions



		All dimensions in mm							
DN	BROEN No.	A	B	C	RG	D	E	F	G
15	69601015 025I	11	31	56	1/2"	170	150	122-143	60-225
20	69601020 025I	11	31	56	3/4"	170	150	122-143	60-225

Flexible main stop valve - DN15-20, PN25

Type 69602 - **Full bore**

Welding × Welding

Flexible main stop valve.

Materials

Fully welded ball valve with weldign ends.

Applications

Heating systems and district heating.

Surface treatment

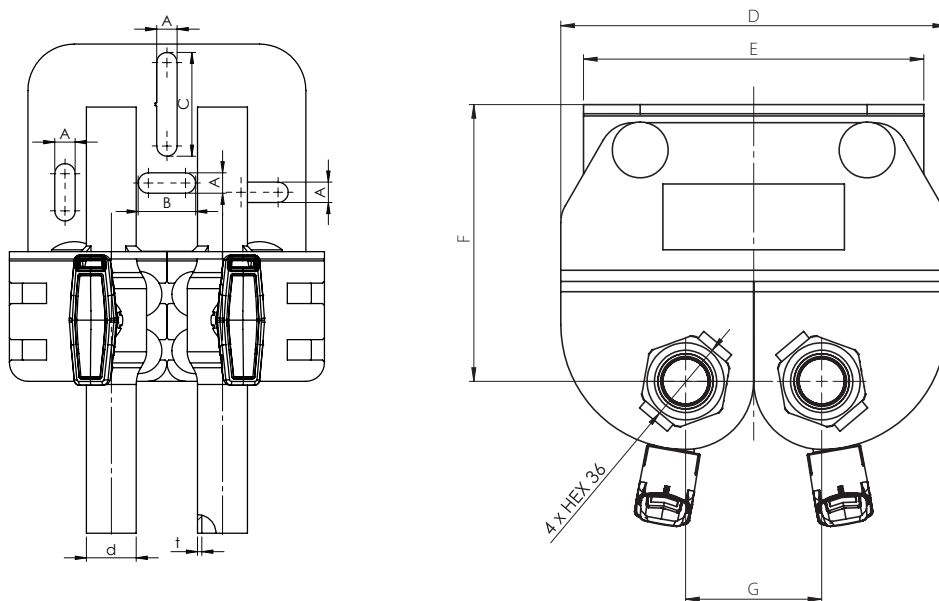
Eco-friendly protection finish against corrosion.

Notice

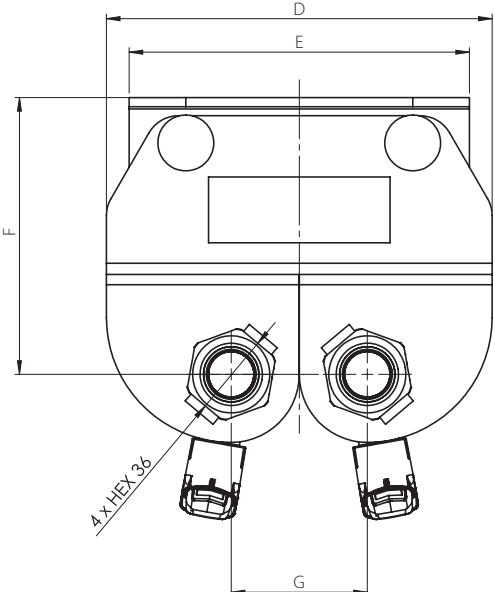
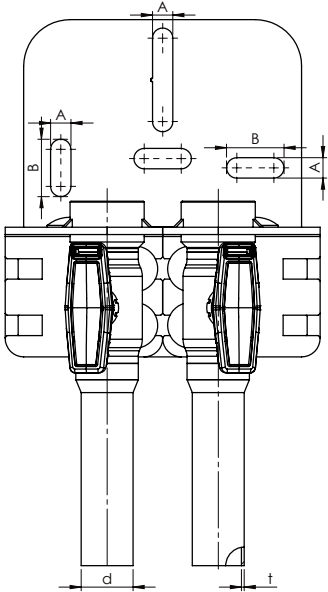
Delivered with insulation shells as standard. DN25 on request.
Fits both twinpipe and singlepipe.



Dimensions



		All dimensions in mm							
DN	BROEN No.	A	B	C	RG	D	E	F	G
15	69602015 0251	11	31	56	½"	170	150	122-143	60-225
20	69602020 0251	11	31	56	¾"	170	150	122-143	60-225



Flexible main stop valve - DN15-20, PN25

Type 69602 - Full bore

Welding × Welding

Flexible main stop valve.

Materials

Fully welded ball valve with weldign ends.

Applications

Heating systems and district heating.

Surface treatment

Eco-friendly protection finish against corrosion.

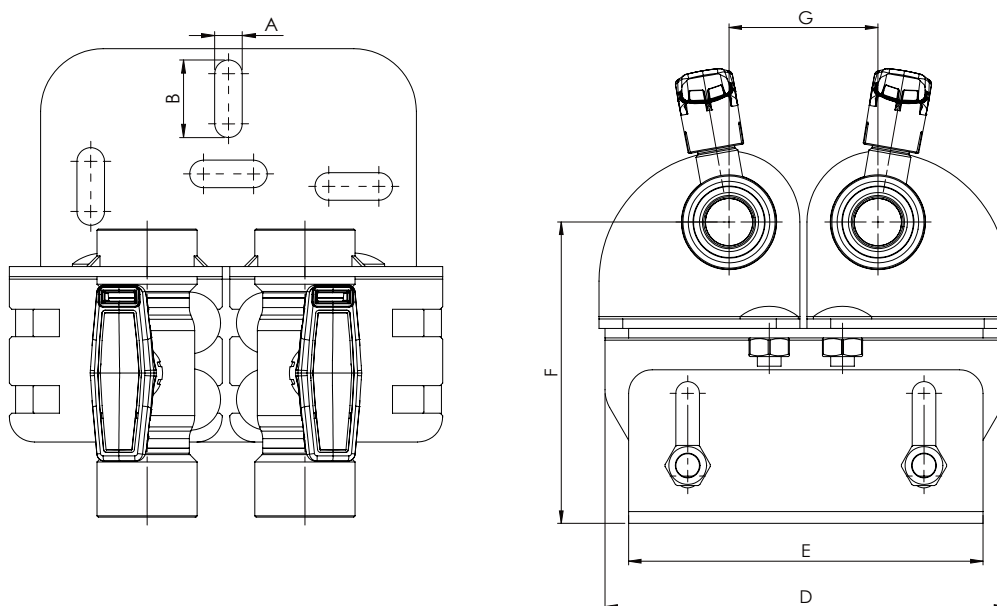
Notice

Delivered with insulation shells as standard. DN25 on request.

Fits both twinpipe and singlepipe.



Dimensions



		All dimensions in mm							
DN	BROEN No.	A	B	C	RG	D	E	F	G
15	69602015 025I	11	31	56	½"	170	150	122-143	60-225
20	69602020 025I	11	31	56	¾"	170	150	122-143	60-225

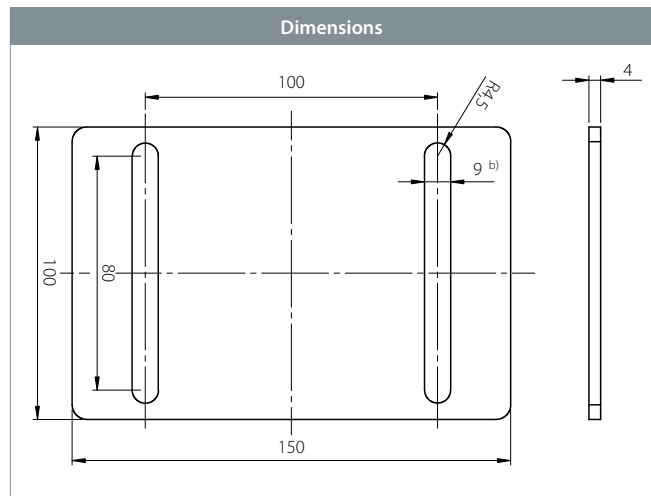
Bracket for extention - DN15-32

Type 316... - Full bore

Bracket for extention

Surface treatment

Eco-friendly protection finish against corrosion.



DN	BROEN No.	Width - mm	Height - mm	Depth - mm
15-32	316800	150	100	4

Insulation shells - DN15-20

Type 600... - **Full bore**

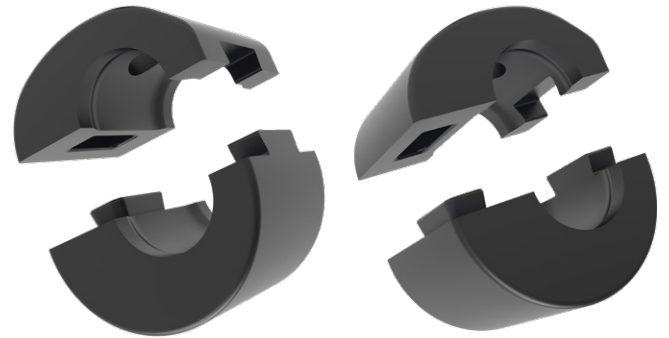
Insulation shells for flexible main stop valves

Materials

Materials: Polyuretan - black
Class: B2 iht. DIN 4102
Weight: 55-60 kg/m²
Thermal conductivity: 0,029 W7mK
Temperature: Max. 130°C (short term 140°C)

Applications

For insulation of BROEN flexible main stop valves DN15-20.
Set consisting of 2 +2 polyurethan half shells for assembly on flexible main stop valves.



DN	BROEN No.
15	600825
20	600826

T-handle - DN15-50

Type 66050 - Full bore



DN	BROEN No.	H - mm	L - mm	B - mm
10-50	9015550022	33	70	24.5

Lock fitting - DN15-20

Type 600749 - Full bore



DN	BROEN No.
15-20	600749

