



**BROEN BALLOMAX®  
FLEXIBLE MAIN STOP VALVES**





# BROEN

VALVE TECHNOLOGIES

## Climate change is our common challenge

Energy efficiency is one of the greatest challenges of our times and for district energy BROEN delivers ready solutions to meet the globally rising demand for energy efficiency.

Based on the heritage from leading edge innovations in Danish District Heating, BROEN offers the most comprehensive range of proven valves for distribution and transmission of district heating in residential, commercial and industrial applications.

BROEN is your assurance of energy efficiency, reliability and low cost of ownership.

Our brand is our promise.

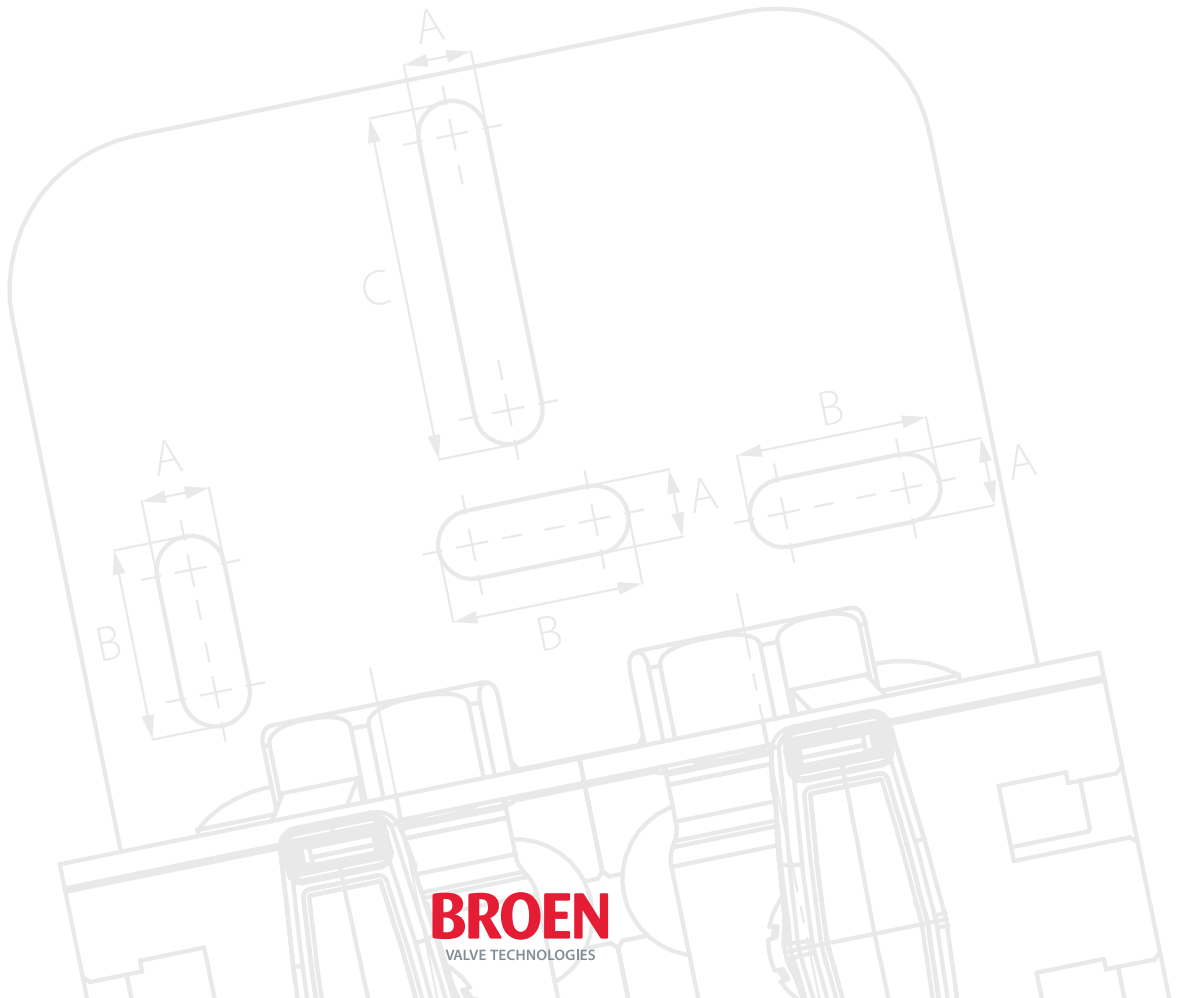
### ABOUT BROEN

In 1948 Poul Broen established the company BROEN, which was among the pioneers, when district heating took off in Denmark. In 1982 the BROEN Ballomax® ball valve for district heating was launched. We strive to develop and improve products, that use nature's resources as efficiently as possible.

In 1993 BROEN was acquired by Aalberts Industries and today we have more than 15,000 colleagues operating from more than 200 locations in more than 30 countries. Aalberts Industries (AALB) is listed at the EuroNext Stock Exchange, NL

### VISION AND VALUES

Our vision is simple: Be the best in valve technology. Strong values are the foundation for our business and with the same shared vision they link us together as one company across borders and time zones on 3 continents.



# BROEN Ballomax® – our response

BROEN Ballomax® flexible main stop valves offer a modern and flexible solution for district heating networks. The flexible main stop valve from BROEN is the perfect choice for connecting district energy grids to local consumers like private households.

## The new flexible main stop valve features:

- One bracket for all purposes
- Wall bracket securing stable and flexible installation
- Delivered with insulation shells installed
- Keylock can be installed without removing the insulation shells



# BROEN Ballomax® Flexible main stop valves

The range of BROEN Ballomax® flexible main stop valves offer a series of easy to install valves built for efficient utilization of district energy.

The same bracket can be used for both single and twin tubes as depth and width can be adjusted. Only one tool is required for adjustments as all bolts are the same size.

The wall bracket is designed to ensure maximum stability and comes with flexible anchoring points to enable drilling in and not between bricks.

Insulation shells are clicked tight to ensure the correct insulation, but can be removed with no tools required.

The ergonomic handle can be dismantled by hand and replaced with a lock if necessary – without removing the insulating shells.

Simple and flexible construction securing smooth installation of the wall mounting brackets and positioning of the valves. The included installation guide will take you every step of the way.



The flexible main stop valve is built from the BROEN Ballomax® DN10-50 Full flow valve:

- All CE-marked valves are approved according to PED 2014/68/EU - Module H.
- Highest Class A tightness - EN12266.
- Patented seat construction with TFM™ PTFE ball sealing.
- The compact valve design allows for optimal insulation and the included insulation shells are optimized to offer optimal utilization of the energy flow.

DN10-50 full bore | PN25 | Flange, weld or female

# Flexible main stop valves

## Type 69600 - DN15-20, PN25

### Female × Female

Flexible main stop valve for house inlets.

### Materials

Fully welded steel ball valve with female ends.

### Applications

Heating systems and district heating.

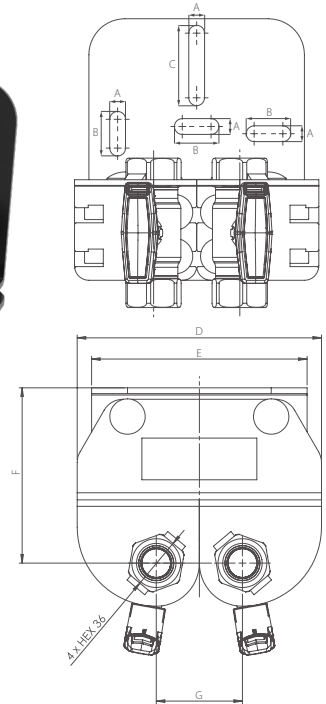
### Surface treatment

Eco-friendly protection finish against corrosion.

### Notice

As standard delivered with T-handles with blue and red insertion clips.

Yellow insertion clip and keylock available on request.



		All dimensions in mm							
DN	BROEN No.	A	B	C	RG	D	E	F	G
15	69600015 025	11	31	56	½"	170	150	122-143	60-225
20	69600020 025	11	31	56	¾"	170	150	122-143	60-225

## Type 69601 - DN15-20, PN25

### Welding × Female

Flexible main stop valve for house inlets.

### Materials

Fully welded steel ball valve with female and weldings ends.

### Applications

Heating systems and district heating.

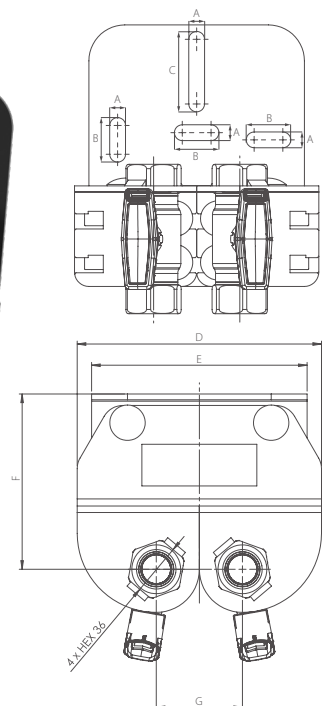
### Surface treatment

Eco-friendly protection finish against corrosion.

### Notice

As standard delivered with T-handles with blue and red insertion clips.

Yellow insertion clip and keylock available on request.



		All dimensions in mm							
DN	BROEN No.	A	B	C	RG	D	E	F	G
15	69601015 025	11	31	56	½"	170	150	122-143	60-225
20	69601020 025	11	31	56	¾"	170	150	122-143	60-225

# Flexible main stop valve and accessories

## Type 69602 - DN15-20, PN25

### Welding × Welding

Flexible main stop valve for house inlets.

### Materials

Fully welded steel ball valve with welding ends.

### Applications

Heating systems and district heating.

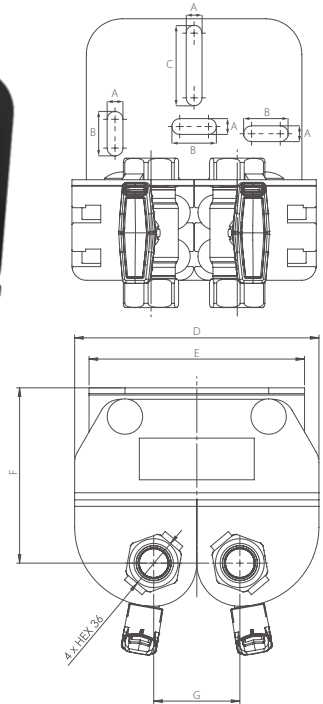
### Surface treatment

Eco-friendly protection finish against corrosion.

### Notice

As standard delivered with T-handles with blue and red insertion clips.

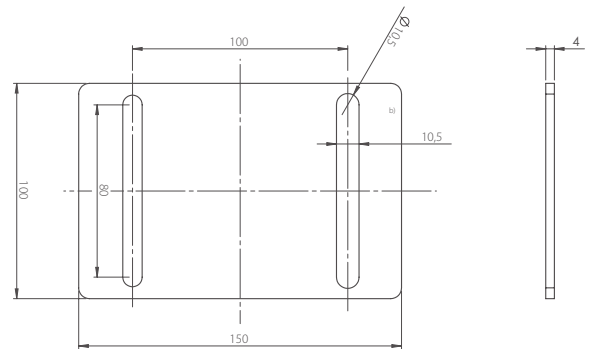
Yellow insertion clip and keylock available on request.



		All dimensions in mm							
DN	BROEN No.	A	B	C	RG	D	E	F	G
15	69602015 025	11	31	56	½"	170	150	122-143	60-225
20	69602020 025	11	31	56	¾"	170	150	122-143	60-225

## Bracket for extension DN15-20

### Type 316800



DN	BROEN No.	Width - mm	Height - mm	Depth - mm
15-20	316800	150	100	4

## Other accessories for flexible main stop valves DN15-20

On request.



Ever since BROEN was established  
our passion for valve technology has been  
a major part of our core competences.

Our brand is our promise.

## BROEN Engineered Valve Group

For more than 70 years BROEN has been the global leader in the development and production of valve technology for the control of water, air, gas and oil. BROEN delivers complete solutions for HVAC building installations and is a leading supplier of district energy valves.

We know application and valve technology in depth and in close dialogue with our customers and partners all over the world we create value and reliability with proven valves offering full quality assurance.

BROEN Group – part of Aalberts Industries – is headquartered in Assens, Denmark.

Read more on: [www.broen.com](http://www.broen.com)

### BROEN Group locations

Headquarters in Assens, DK

### Sales- and productions sites ●

BROEN A/S, Assens (DK)  
BROEN SA, Dzierżonów (PL)  
BROEN LLC, Kolomna (RU)  
BROEN INC., Houston (US)  
BROEN OIL & GAS, Suchy Las & Rogoźno (PL)  
Clorius Controls, Dzierżonów (PL)

### Sales companies and offices ○

BROEN, Assens  
BROEN, Stockholm  
BROEN, Helsinki  
BROEN SEI, Romania  
BROEN, Beijing  
BROEN, Singapore  
BROEN, Dusseldorf  
BROEN, Moscow  
Clorius Controls, Shanghai



## BROEN A/S

Skovvej 30, DK-5610 Assens, Denmark  
Tel. +45 6471 2095 | Fax +45 6471 2495  
[broen@broen.com](mailto:broen@broen.com) | [www.broen.com](http://www.broen.com)