

Pneumatic indicating controllers and transmitters

Series 80

O-6.7.01-C

Page 1 of 2



APPLICATIONS

For the control of temperature and pressure in industrial or process plants. The indicating controller is used for control of liquid, gaseous or vaporous media. The instrument senses the temperature/pressure of the measured medium directly, displays the operating value, compares the measured variable with the set point and puts out a pneumatic signal in the standard range of 0.2 to 1 bar or 3 to 15 psi. This output pressure actuates the final control element. Four control forms are available: ON-OFF, P, P+I, P+I+D. The units can also be used for remote control of processes operating whether with a pneumatic transmitter (output 0.2-1 bar or 3-15 psi) or as a receiver controller (input 0.2-1 bar, 3-15 psi).

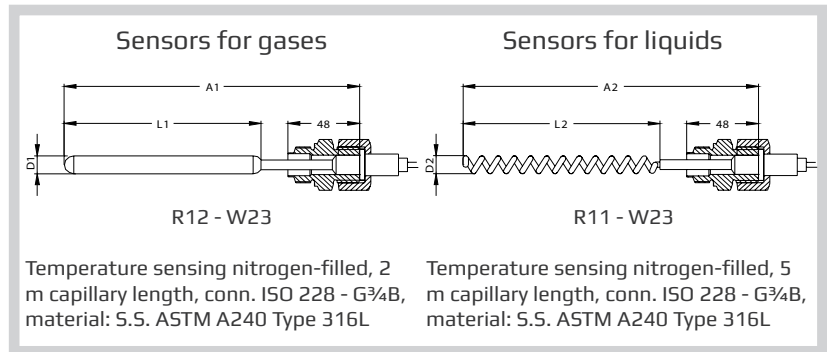
FEATURES

- Robust design.
- Maintenance free.
- Easy installation.
- User friendly.
- Can be used for remote control of processes.

TECHNICAL DATA

Body	Die cast aluminium with anti corrosive paint
Cover	ABS
Degree of protection	IP55
Mounting	Wall or panel
Pneumatic connections	¼" NPT
Supply air pressure	20±1.5 psi / 1.4 ± 0.1 bar
Output	3-15 psi / 0.2-1 bar
Proportional action	Proportional band ∞...200%
Integral action	>0...>10 rep. /min.
Derivative action	0...>5 min. rep
Steady state air consumption	Air supply 20 psi/1,4 bar 0,13 Nm³/h
Max. air delivery	Air supply 20 psi / 1,4 bar 2,6 Nm³/h
Accuracy	≤ 1% deviation
Hysteresis	≤ 0.5%
Non linearity	≤ 0.5%
Repeatability	≤ 0.5%
Control range	0...150 °C
Permissible ambient temperature	-20...+ 80 °C
Weight	~3 kg

TEMPERATURE ELEMENT



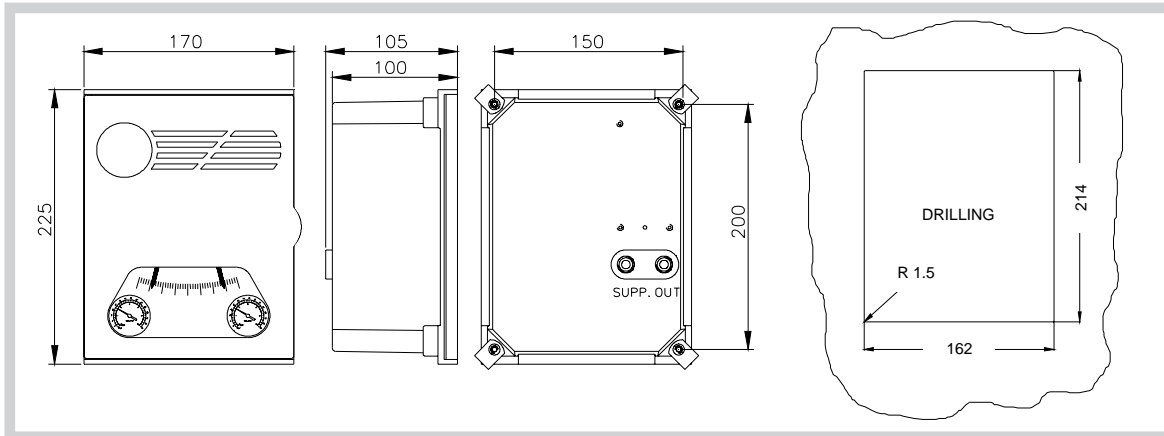
SPAN	25 °C	30 °C	40 °C	50 °C	60 °C	70 °C	80 °C	100 °C	120 °C	130 °C	150 °C	200 °C	250 °C	300 °C	400 °C	500 °C
A1	250	250	250	200	200	200	200	200	200	200	200	200	200	200	200	200
L1	170	170	170	120	120	120	120	120	120	120	120	120	120	120	120	120
D1	13	13	13	13	13	13	13	13	13	13	13	13	13	13	13	13
A2	250	250	250	200	200	200	200	200	200	200	200	200	200	200	200	200
L2	170	170	170	130	130	120	120	120	120	120	120	120	120	120	120	120
D2	16	16	16	16	16	16	14	14	14	14	14	14	14	14	14	14

OPTIONS

- External set point knob
- Box for tropical conditions
- Output signal 6 to 30 psi / 0.4 to 2 bar

Subject to change without notice.

DIMENSIONS



CODIFICATION

