

Microprocessor-based controller type ER 2000-P

For electronic pressure control

0-4.6.07-D

Page 1 of 2



TECHNICAL DATA

Line voltage

230 V AC
115 V AC* } -15 % / +10 %, 50 / 60 Hz
24 V AC*

*- optional (please specify)

Power consumption approx. 7 VA

Weight approx. 1 kg

Permissible ambient temperature

- **Operation** 0 to 50°C

- **Transport and storage** -25 to + 65°C

Degree of protection

- **Front:** IP 65 according to DIN 40050

- **Terminals:** IP00

Design For control panel installation

96 x 96 x 135 mm (W x H x D)

panel cut out 92 x 92 mm

Installation position arbitrary

Inputs 4-20 mA

Outputs 2- or 3-point

- **Option:** 4-20 mA

Measuring accuracy 0.1% of the

measuring range

Displays Two 4 - digit 7 segment displays,

LED, red, character height = 13 mm

Alarms Type A, B, C; working contact

normally

closed circuit principle

Relay Switching capacity: 250 V AC/3 A

Spark quenching element

Data protection Semi - conductor memory

APPLICATIONS

The ER 2000-P controller is used for constant pressure control. It is suitable for all heating and cooling control systems. The controller is primarily intended for marine installations and other industrial applications.

DESIGN

The ER 2000-P controller is designed for panel mounting.

For easy start-up it has optimization for automatic determination of favourable control parameters. The optimization starts when changing the set point or when switching over from manual mode to automatic control. The optimization can be disregarded. For easy operation it has three keys - two for scrolling or changing values and an enter key. Two digital displays show the process variable and the set point. 3 LEDs indicate actuator opens, actuator closes and alarm. The controller can be switched from auto mode to manual mode. In manual mode the actuator can be opened, closed or stopped in a certain position.

Three different alarm settings are possible:

A: Alarm at a deviation from the set point SP

B: Alarm at a fixed limit value

C: Alarm at leaving a band around the set point SP.

It can operate either as a three position or as a two position controller or analogue controller (4-20 mA) and has adjustable proportional band, integral action time and derivative action time.

FUNCTION

The pressure input comes via a 4-20 mA signal. The measured value of the controlled variable is compared with the set point value and adjusted via a PI or a PID control structure. The ER 2000-P permits direct reading of the actual temperature value (PV) and it is secured from failure in the measuring circuit, i.e. the controller can be set to give either a closing, an opening or remain in current position command in case of sensor short circuit or sensor break. The error message Err appears in the LED display PV.

FEATURES

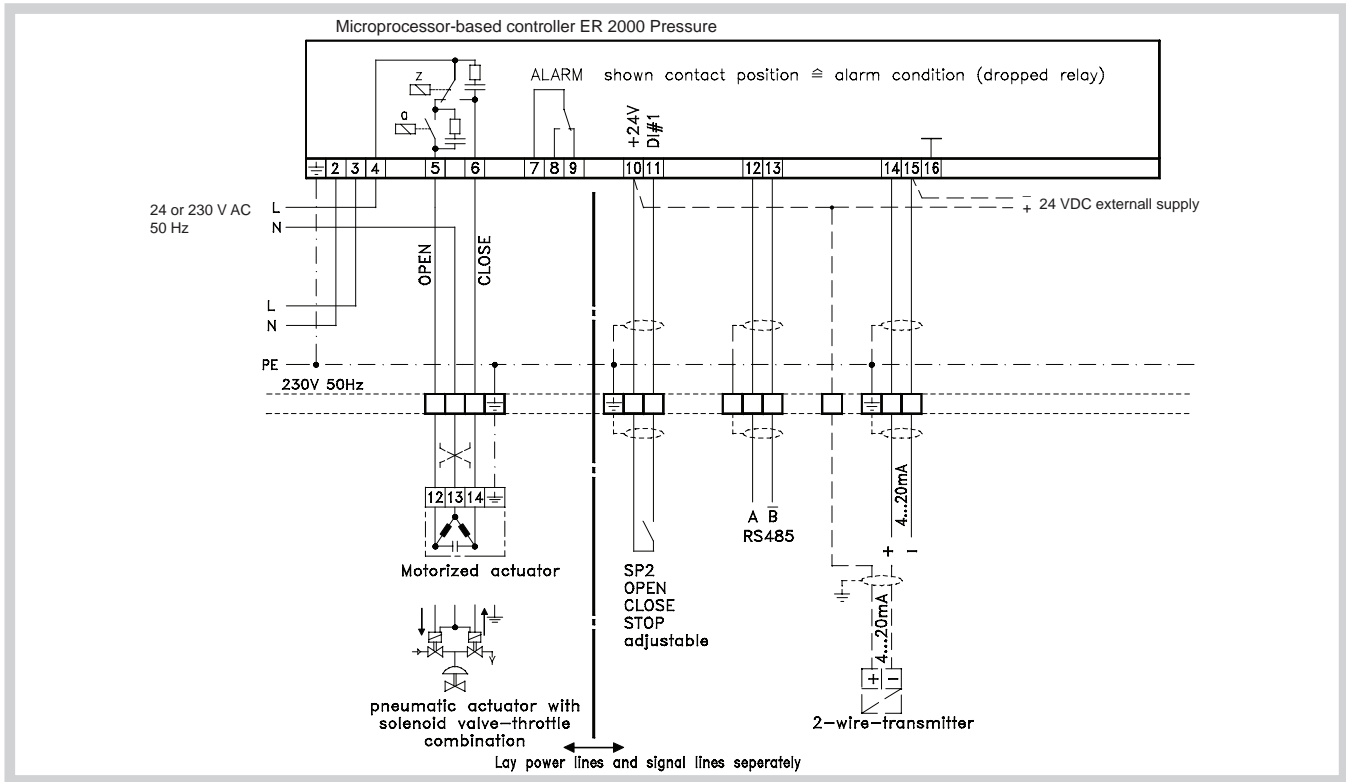
- PI and PID performance
- Easy operation
- For heating, cooling and pressure systems in maritime and industrial installations
- Manual / automatic changeover
- Robust self-optimization
- Alarm indicating a deviation from set point, positive or negative
- User-defined operation level
- 2- or 3-positional output for controlling the actuator

COMMUNICATION

The controller is equipped with a RS 485 communication module.

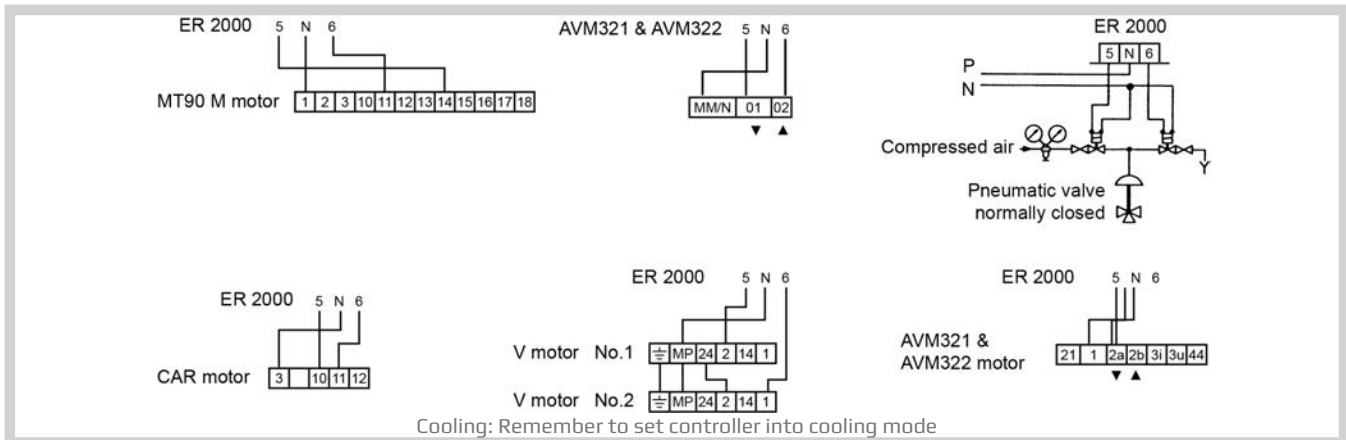
Subject to change without notice.

WIRING DIAGRAM



4

ELECTRICAL CONNECTIONS - OPTIONAL EXTERNAL UNITS



* AVM321/322/3215/3225 and AVM234: Please refer to instruction depending on the type

DIMENSIONS IN MM

