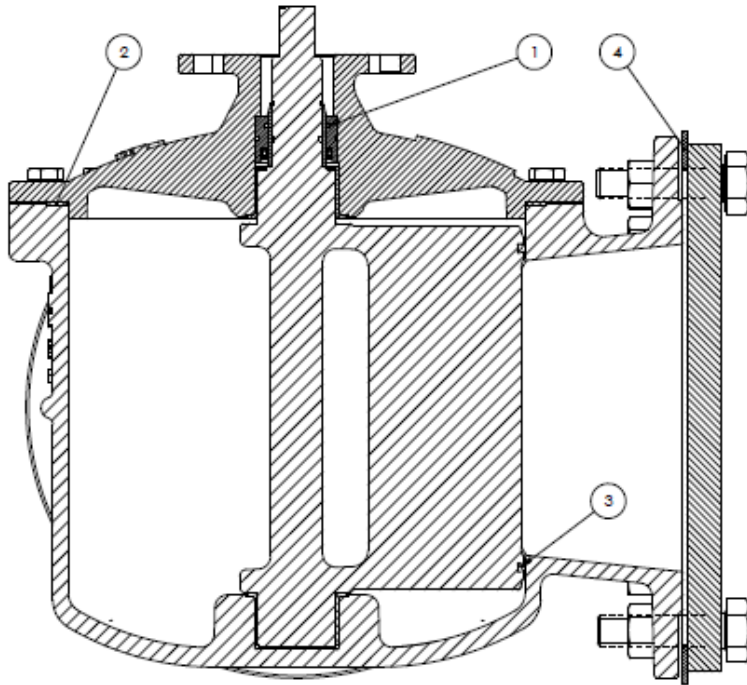


S2FM-T SPARE PARTS

S-2.7.04-A

2-way Control Valves

Stainless steel, PN 16, DN 100-300 mm / PN 10, DN 350-500 mm



Pos.	Component
1	O-ring for bushing
2	Gasket
3	O-ring for slide
4	Gasket

Packing set	Pos.	Valve	Item No.
components pos.	1 to 4	100 S2FM -T	1-2991540
	1 to 4	125 S2FM -T	1-2991541
	1 to 4	150 S2FM -T	1-2991542
	1 to 4	200 S2FM -T	1-2991543
	1 to 4	250 S2FM -T	1-2991544
	1 to 4	300 S2FM -T	1-2991545
	1 to 4	350 S2FM -T	1-2991546
	1 to 4	400 S2FM -T	1-2991547
	1 to 4	450 S2FM -T	1-2991548
	1 to 4	500 S2FM -T	1-2991549

Clorius Controls A/S

Kajakvej 4 · DK-2770 Kastrup · Denmark
Tel: + 45 77 32 31 30 · Fax: +45 77 32 31 31
E-mail: mail@cloriuscontrols.com
Web: www.cloriuscontrols.com

Clorius
CONTROLS