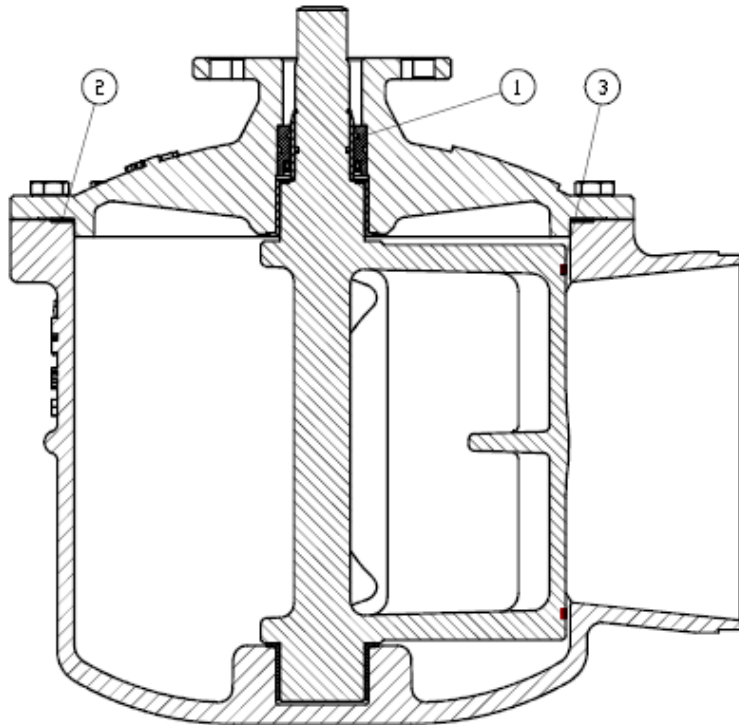


G3CM-T SPARE PARTS

3-way Control Valves

Nodular cast iron, PN 16, DN 100-300 mm, Grooved joints

S-2.6.05-A



Pos.	Component
------	-----------

1	O-ring for bushing
2	Gasket
3	O-ring for slide

Packing set	Pos.	Valve	Item No.
components pos.	1 to 3	100 G3CM -TL	1-2991510
	1 to 3	125 G3CM -TL	1-2991511
	1 to 3	150 G3CM -TL	1-2991512
	1 to 3	200 G3CM -TL	1-2991513
	1 to 3	250 G3CM -TL	1-2991514
	1 to 3	300 G3CM -TL	1-2991515

Clorius Controls A/S

Kajakvej 4 · DK-2770 Kastrup · Denmark
Tel: + 45 77 32 31 30 · Fax: +45 77 32 31 31
E-mail: mail@cloriuscontrols.com
Web: www.cloriuscontrols.com

Clorius
CONTROLS