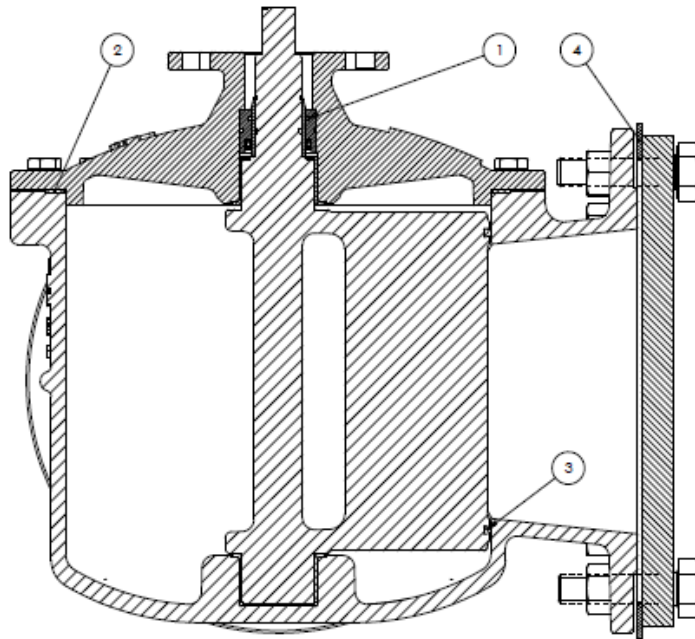


G2FM-T SPARE PARTS

2-way Control Valves

Nodular cast iron, PN 16, DN 100–300 mm / PN 10, DN 350–500 mm

S-2.5.05.01-A



Pos.	Component
1	O-ring for busing
2	Gasket
3	O-ring for slide
4	Gasket

Packing set	Pos.	Valve	Item No.
components			
pos.	1 to 4	100 G2FM -T	1-2991540
	1 to 4	125 G2FM -T	1-2991541
	1 to 4	150 G2FM -T	1-2991542
	1 to 4	200 G2FM -T	1-2991543
	1 to 4	250 G2FM -T	1-2991544
	1 to 4	300 G2FM -T	1-2991545
	1 to 4	350 G2FM -T	1-2991546
	1 to 4	400 G2FM -T	1-2991547
	1 to 4	450 G2FM -T	1-2991548
	1 to 4	500 G2FM -T	1-2991549