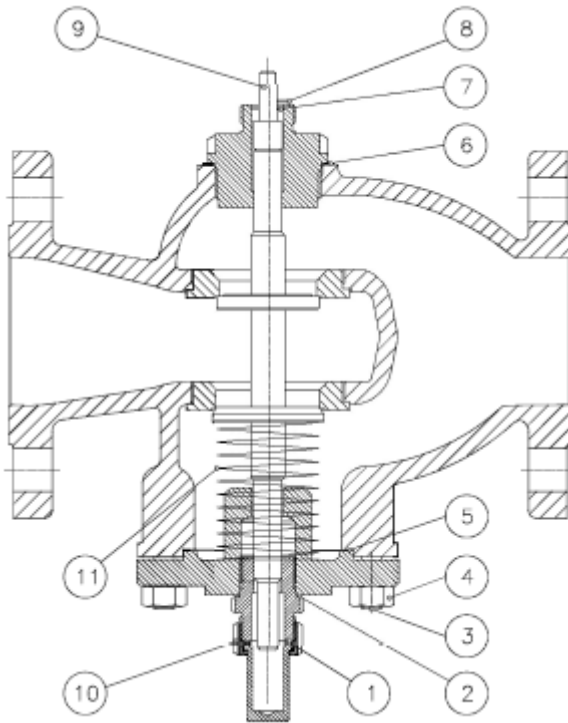


H2FR SPARE PARTS

S-2.4.10-A

2-way Control Valves

Cast steel, PN 25, DN 100-150 mm / PN 16, DN 150 mm, Reverse acting



DN100 to 150

Pos.	Component
------	-----------

1	Gasket
2	Gasket
3	Stud bolt
4	Nut
5	Gasket
6	Gasket
7	Locking ring
8	Gasket
9	Cone shaft
10	Nut
11	Spring

Packing set	Pos.	Valve	Item No.
components pos.	1 to 8	100 H2FR	1-2992369
	1 to 8	125 H2FR	1-2992371
	1 to 8	150 H2FR	1-2992373
Trim set	Pos.	Valve	Item No.
components pos.	1 to 11	100 H2FR	1-2992370
	1 to 11	125 H2FR	1-2992372
	1 to 11	150 H2FR	1-2992374

Clorius Controls A/S

Kajakvej 4 · DK-2770 Kastrup · Denmark
 Tel: + 45 77 32 31 30 · Fax: +45 77 32 31 31
 E-mail: mail@cloriuscontrols.com
 Web: www.cloriuscontrols.com