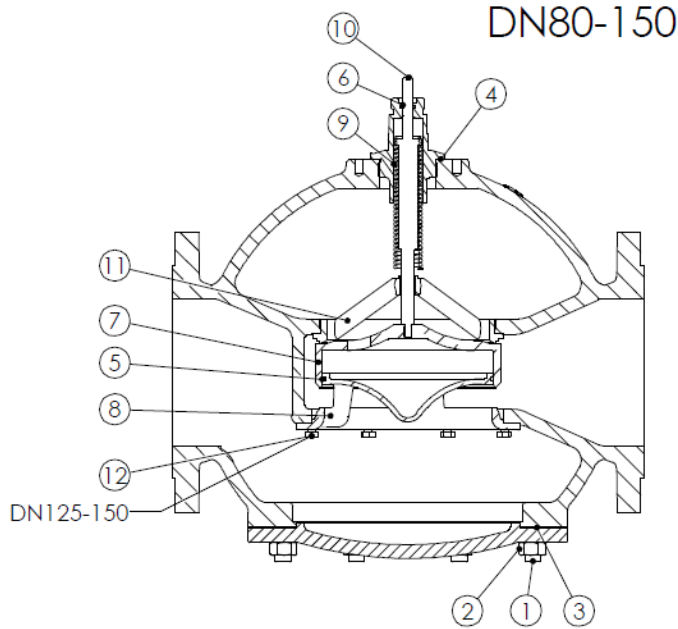


H3F SPARE PARTS
 3-way Control Valves
 Cast Steel, PN 16, DN 80-150 mm

S-2.4.08-A



Pos. Component

1	Stud bolt
2	Nut
3	Gasket
4	Gasket
5	O-ring
6	O-ring
7	Cone
8	Lower seat
9	Spring
10	Spindle
11	Upper seat
12	Screw

Packing set	Pos.	Valve	Item No.
components pos.	1 to 6	80 H3F	1-2991620
	1 to 6	100 H3F	1-2991623
	1 to 6	125 H3F	1-2991627
	1 to 6	150 H3F	1-2991632
Trim set	Pos.	Valve	Item No.
components pos.	1 to 11	80 H3F	1-2991640
	1 to 11	100 H3F	1-2991643
	1 to 12	125 H3F	1-2991645
	1 to 12	150 H3F	1-2991649