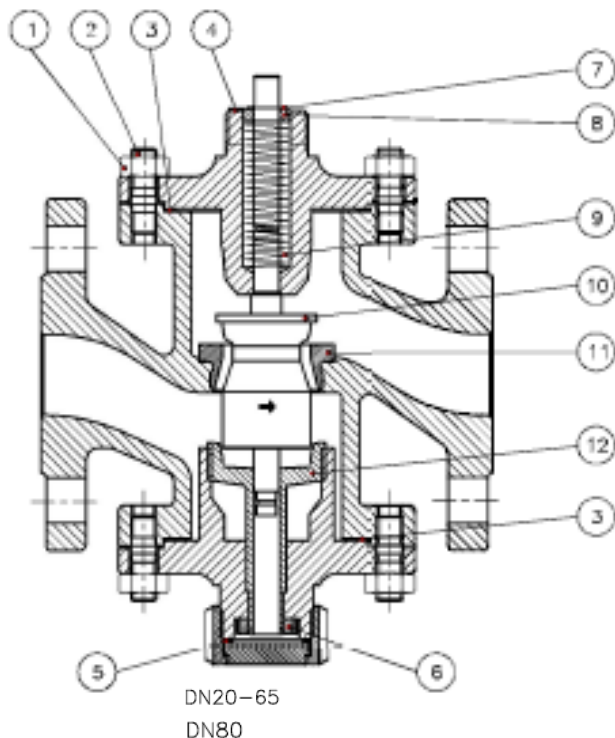


H2F SPARE PARTS

2-way Control Valves

Cast steel, PN 40, DN 20-80 mm

S-2.4.05-A



Pos.	Component
------	-----------

1	Nut
2	Stud bolt
3	Gasket
4	Gasket
5	Gasket
6	Nut
7	Locking ring
8	Disc
9	Spring
10	Cone
11	Seat
12	Lower seat

Packing set components pos.	Pos.	Valve	Item No.
	1 to 5	20 H2F	1-2991345
	1 to 5	25 H2F	1-2991349
	1 to 5	32 H2F	1-2991352
	1 to 5	40 H2F	1-2991355
	1 to 5	50 H2F	1-2991360
	1 to 5	65 H2F	1-2991363
	1 to 5	80 H2F	1-2991367

Trim set components pos.	Pos.	Valve	Item No.
	1 to 12	20 H2F	1-2991373
	1 to 12	25 H2F	1-2991375
	1 to 12	32 H2F	1-2991379
	1 to 12	40 H2F	1-2991381
	1 to 12	50 H2F	1-2991385
	1 to 12	65 H2F	1-2991389
	1 to 12	80 H2F	1-2991395

Clorius Controls A/S

Kajakvej 4 · DK-2770 Kastrup · Denmark
 Tel: + 45 77 32 31 30 · Fax: +45 77 32 31 31
 E-mail: mail@cloriuscontrols.com
 Web: www.cloriuscontrols.com

