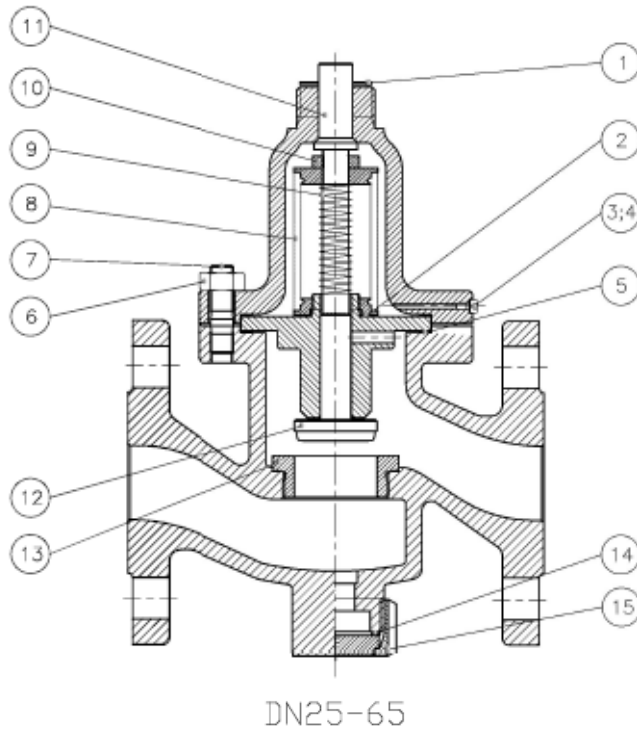


## H1FB SPARE PARTS

Balanced 2-way Control Valves  
Cast steel, PN 40, DN 25-80 mm

S-2.4.03-A



Pos.	Component
1	Gasket
2	Gasket
3	Washer
4	Nut
5	Gasket
6	Nut
7	Stud bolt
8	Bellow
9	Spring
10	Nut
11	Press button
12	Cone
13	Seat
14	Gasket
15	Screw cap

Packing set	Pos.	Valve	Item No.
<b>components pos.</b>	<b>1 to 7</b>	25 H1FB	1-2992310
	<b>1 to 7</b>	32 H1FB	1-2992312
	<b>1 to 7</b>	40 H1FB	1-2992315
	<b>1 to 7</b>	50 H1FB	1-2992317
	<b>1 to 7 ;14</b>	65 H1FB	1-2992319
Trim set	Pos.	Valve	Item No.
<b>components pos.</b>	<b>1 to 13</b>	25 H1FB	1-2992327
	<b>1 to 13</b>	32 H1FB	1-2992329
	<b>1 to 13</b>	40 H1FB	1-2992331
	<b>1 to 13</b>	50 H1FB	1-2992332
	<b>1 to 15</b>	65 H1FB	1-2992333

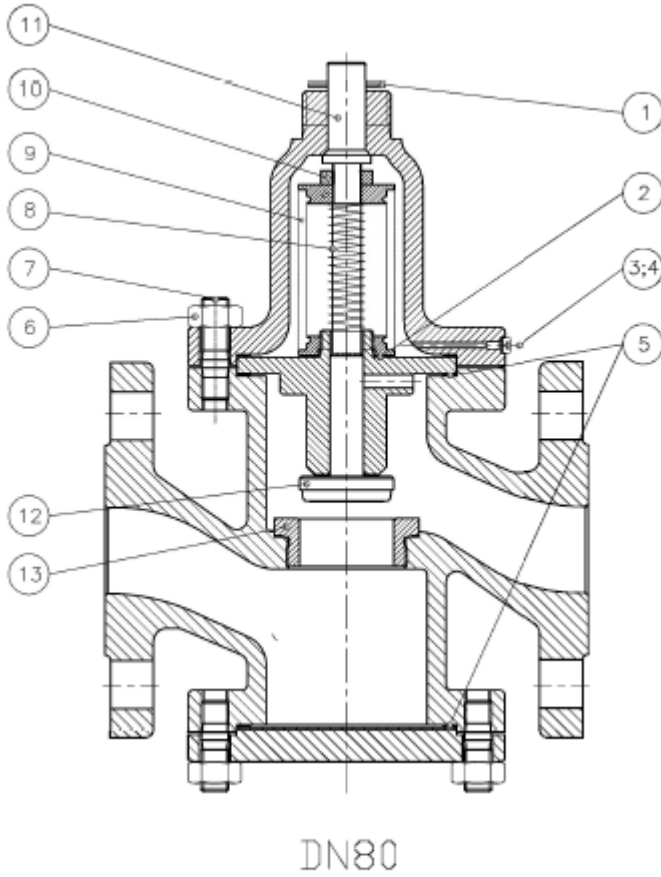
**Clorius Controls A/S**  
Kajakvej 4 · DK-2770 Kastrup · Denmark  
Tel: +45 77 32 31 30 · Fax: +45 77 32 31 31  
E-mail: mail@cloriuscontrols.com  
Web: www.cloriuscontrols.com

**Clorius**  
CONTROLS

# H1FB SPARE PARTS

Balanced 2-way Control Valves  
Cast steel, PN 40, DN 25-80 mm

S-2.4.03-A



Pos.	Component
------	-----------

- |    |              |
|----|--------------|
| 1  | Gasket       |
| 2  | Gasket       |
| 3  | Washer       |
| 4  | Nut          |
| 5  | Gasket       |
| 6  | Nut          |
| 7  | Stud bolt    |
| 8  | Bellow       |
| 9  | Spring       |
| 10 | Nut          |
| 11 | Press button |
| 12 | Cone         |
| 13 | Seat         |
| 14 | Gasket       |
| 15 | Screw cap    |

Packing set	Pos.	Valve	Item No.
<b>components pos.</b>	<b>1 to 7</b>	80 H1FB	1-2992323
Trim set	Pos.	Valve	No.
<b>components pos.</b>	<b>1 to 13</b>	80 H1FB	1-2992334

Clorius Controls A/S  
Kajakvej 4 · DK-2770 Kastrup · Denmark  
Tel: +45 77 32 31 30 · Fax: +45 77 32 31 31  
E-mail: mail@cloriuscontrols.com  
Web: www.cloriuscontrols.com

**Clorius**  
CONTROLS