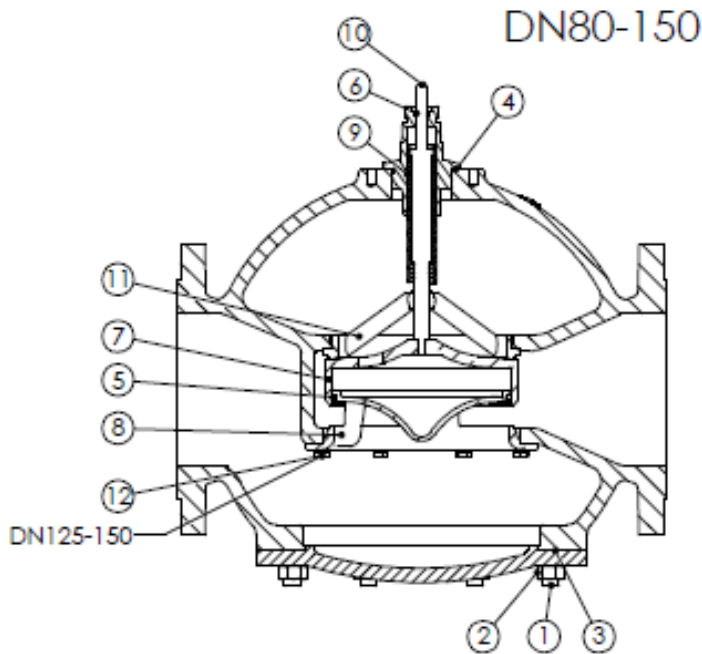


M3F-I SPARE PARTS

3-way Control Valves

Cast iron, PN 10, DN 80 -150 mm

S-2.3.12-A



Pos.	Component
------	-----------

1	Stud bolt
2	Nut
3	Gasket
4	Gasket
5	O-ring
6	O-ring
7	Cone
8	Lower seat
9	Spring
10	Spindle
11	Upper seat
12	Screw

Packing set	Pos.	Valve	Item No.
components pos.	1 to 6	80 M3F-I	1-2991620
	1 to 6	100 M3F-I	1-2991623
	1 to 6	125 M3F-I	1-2991627
	1 to 6	150 M3F-I	1-2991632
Trim set	Pos.	Valve	Item No.
components pos.	1 to 11	80 M3F-I	1-2991640
	1 to 11	100 M3F-I	1-2991643
	1 to 12	125 M3F-I	1-2991645
	1 to 12	150 M3F-I	1-2991649

Clorius Controls A/S

Kajakvej 4 · DK-2770 Kastrup · Denmark
Tel: +45 77 32 31 30 · Fax: +45 77 32 31 31
E-mail: mail@cloriuscontrols.com
Web: www.cloriuscontrols.com

Clorius
CONTROLS