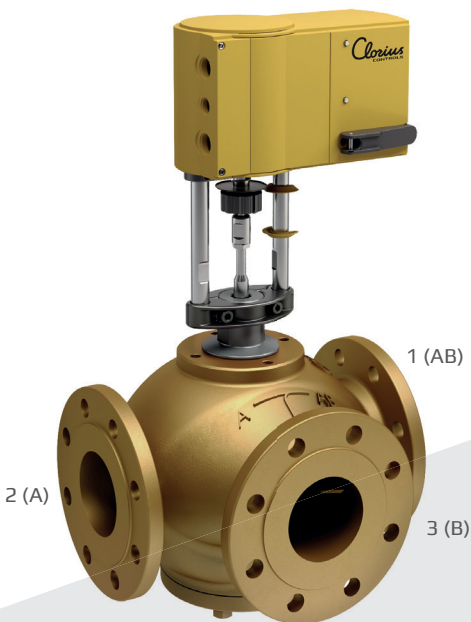


3-way control valve type L3FA

Gun metal, PN 10, DN 65 – 200 mm / PN 6, DN 300/250 – 300 mm

0-2.2.09.01-A

Page 1 of 2



APPLICATIONS

Control valve type L3FA is designed for regulating of sea water. The valve are used in conjunction with marine installations, e.g. cooling of main and auxiliary engines. Designed for use in conjunction with Clorius valve motor type AVM234 or AVF234.

DESIGN

The valve components (seats and cone) are made of alu bronze, the spindle of stainless steel. The valve body is made of gun metal and the valve flanges are drilled according to DIN 86021.

FUNCTION

The valve cone is firmly connected with the motor spindle. When the valve cone is in the one outer position by draw on the spindle, connection A-AB is kept fully open and connection B-AB is fully closed. In the other outer position connection A-AB is fully closed and connection B-AB is fully open. In the intermediate positions the opening degrees change proportionally.

TECHNICAL DATA

Materials:

- Valve body	CuSn10
- Slide	CuAl10Fe5Ni5
- Seat, cone, spindle	CuAl10Fe5Ni5
- O-ring	AFLAS 75H
- Gasket	Reinz-AFM34

Nominal pressure

- 65-200 mm	PN 10 max. 120°C
- 300/250-300 mm	PN 6 max. 120°C

Seats 2 balanced single seats

Flow characteristic Almost linear

Leakage rate ≤ 0.5%

Regulating capability Kvs/Kvr > 25

Temperature range Max. 120 °C

Flanges According to DIN 86021

Note!

Valve type 300/250 L3FA has outer measures and flanges drilled as valve type 300 L3FA

For cooling and heating purposes
Sea water resistant

Important note

In case the valves are applied as diverting valves, the pressure drop will increase by 35% and the kvs-value will decrease by 14% as against mixing valves.

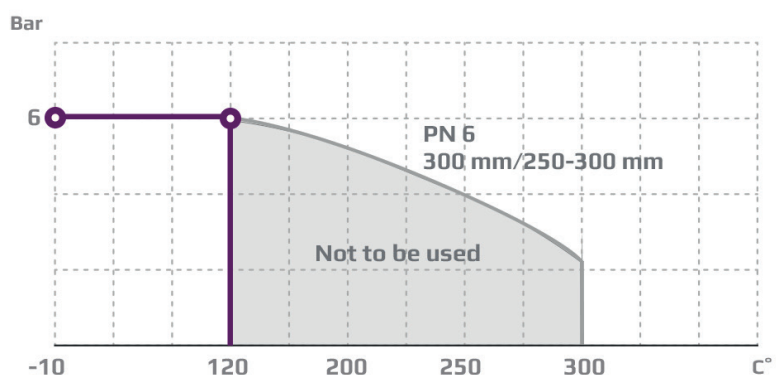
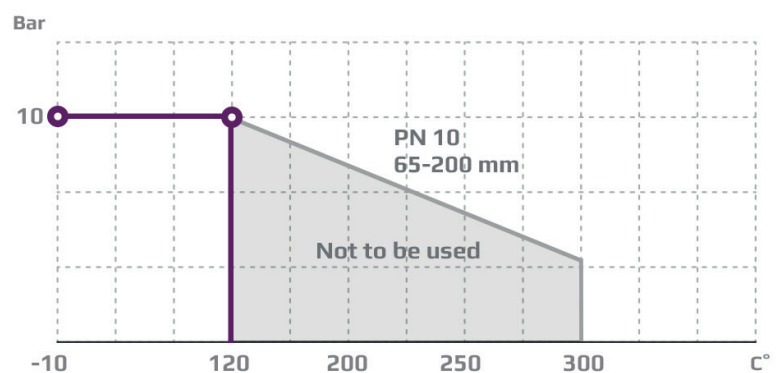
Subject to change without notice.

FEATURES

- Sea water resistant
- Simple design secures reliable controls and reduces costly downtime.
- Can be used for both mixing and diverting

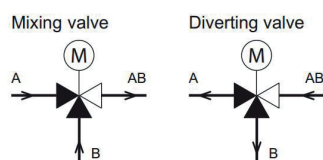
PRESSURE/TEMPERATURE DIAGRAM

According to DIN 2401



PORT NUMBERING

The ports of valves type L3FA are marked with the letters AB, A and B.



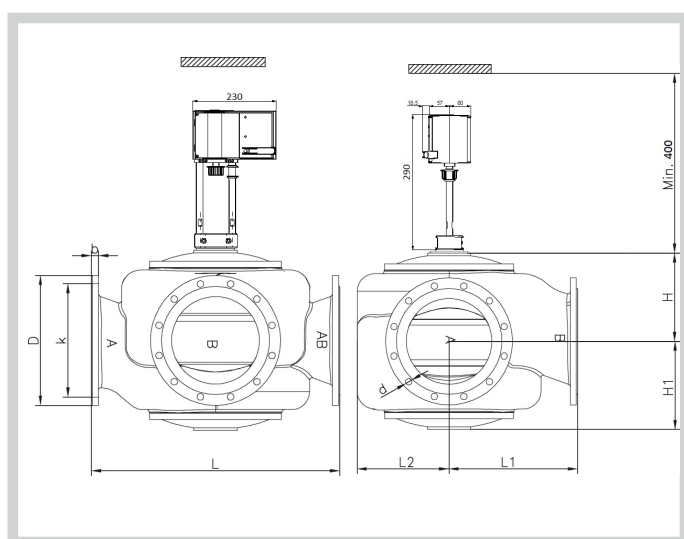
Port AB
Port A
Port B

common port always open
closes at load on spindle
opens at load on spindle

MOUNTING

The valve can be installed vertical as well as horizontal. The valve must be mounted in a way that the valve motor will be exposed to a minimum of moisture and unnecessary vibrations. Free height above / below the valve must be minimum 400 mm for mounting and operation of the AVM234 See drawing.

DIMENSION SKETCH



Type	L mm	L1 mm	H mm	H1 mm	b mm	D (dia.) mm	k (dia.) (mm)	d mm dia. (number)
65 L3FA								
80 L3FA	310	155	117	127	19	200	160	18x(8)
100 L3FA	350	175	132	141	19	220	180	18x(8)
125 L3FA	400	240	181	171	19	250	210	18x(8)
150 L3FA	480	270	216	189	19	285	240	22x(8)
200/175 L3FA	600	325	238	238	20	340	295	22x(8)
200 L3FA	600	325	238	238	20	340	295	22x(8)
300/250 L3FA ²⁾	850	450	305	305	25	445	400	22x(12)
300 L3FA	850	450	305	305	25	445	400	22x(12)

SPECIFICATIONS

²⁾ Valve type 300/250 L3FA has outer measures and flanges drilled as type 300 L3FA.

Type	Flange connection DN in mm	Opening (mm)	k _{vs} -value ¹⁾ Mixing valve m ³ /h	k _{vs} -value ¹⁾ Diverting valve m ³ /h	Lifting height (mm)	Weight (kg)
65 L3FA						
80 L3FA	80	80	80	69	11	40
100 L3FA	100	100	125	108	13	49
125 L3FA	125	125	215	185	18	80
150 L3FA	150	150	310	267	20	126
200/175 L3FA	200	175	425	366	22	195
200 L3FA	200	200	555	477	28	190
300/250 L3FA ²⁾	300	250	865	744	28	365
300 L3FA	300	300	1250	1075	45	355