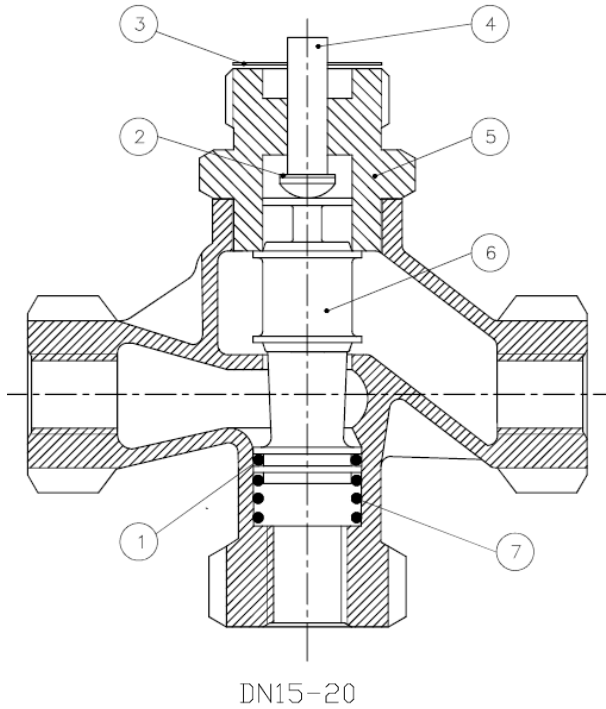


L3S SPARE PARTS

3-way Control Valves

Gun Metal, PN 10, DN 15-50 mm

S-2.2.07-A



Pos.	Component
1	O-ring
2	Washer
3	Packing
4	Press Button
5	Screwed cone
6	Cone
7	Spring

Packing set	Pos.	Valve	Item No.
components pos.	1 to 3	15-20 L3S	1-2990739
Trim set	Pos.	Valve	Item No.
components pos.	1 to 7	15 L3S	1-2990740
	1 to 7	20 L3S	1-2990741

Clorius Controls A/S

Kajakvej 4 · DK-2770 Kastrup · Denmark
Tel: + 45 77 32 31 30 · Fax: +45 77 32 31 31
E-mail: mail@cloriuscontrols.com
Web: www.cloriuscontrols.com

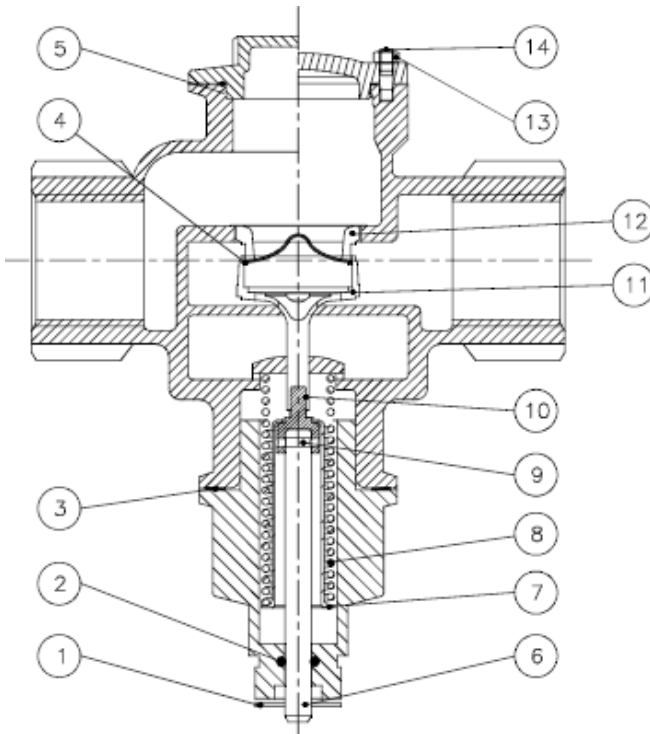
Clorius
CONTROLS

L3S SPARE PARTS

3-way Control Valves

Gun Metal, PN 10, DN 15-50 mm

S-2.2.07-A



DN25-50

Pos.	Component
------	-----------

1	Gasket
2	O-ring
3	Gasket
4	O-ring
5	Gasket
6	Spindle
7	Spring guide
8	Spring
9	Pin
10	Heads of spindle
11	Cone
12	Seat
13	Nut
14	Stud bolt

Packing set	Pos.	Valve	Item No.
components pos.	1 to 5	25-32 L3S	1-2991038
	1 to 5 and 13 ,14	40-50 L3S	1-2991046
Trim set	Pos.	Valve	Item No.
components pos.	1 to 14	25-32 L3S	1-2991039
	1 to 14	40-50 L3S	1-2991047

Clorius Controls A/S

Kajakvej 4 · DK-2770 Kastrup · Denmark
 Tel: +45 77 32 31 30 · Fax: +45 77 32 31 31
 E-mail: mail@cloriuscontrols.com
 Web: www.cloriuscontrols.com

Clorius
 CONTROLS