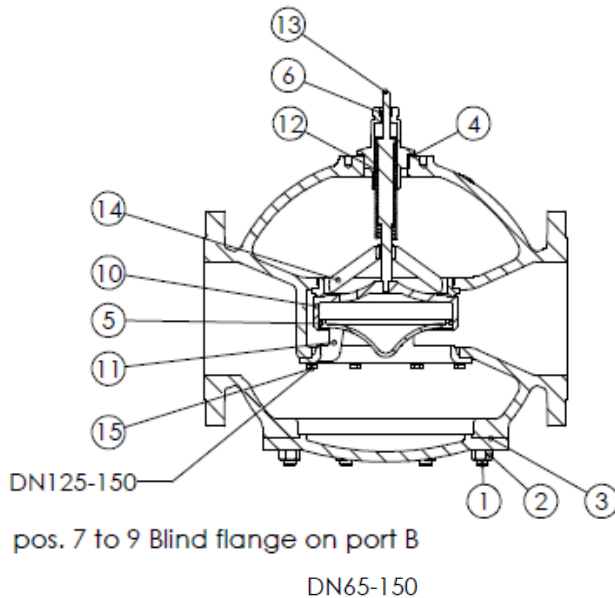


## L2F SPARE PARTS

2-way Control Valves

Gun Metal, PN 10, DN 65-150 mm

S-2.2.05.01-A



### Pos. Component

1	Stud bolt
2	Nut
3	Gasket
4	Gasket
5	O-ring
6	O-ring
7	Gasket of blind flange
8	Nut of blind flange
9	Screw of blind flange
10	Cone
11	Lower seat
12	Spring
13	Spindle
14	Upper seat
15	Screw

Packing set	Pos.	Valve	Item No.
<b>components pos.</b>	<b>1 to 9</b>	65 L2F	1-2990240
	<b>1 to 9</b>	80 L2F	1-2990241
	<b>1 to 9</b>	100 L2F	1-2990242
	<b>1 to 9</b>	125 L2F	1-2990243
	<b>1 to 9</b>	150 L2F	1-2990244
<b>Trim set</b>	<b>Pos.</b>	<b>Valve</b>	<b>Item No.</b>
<b>components pos.</b>	<b>1 to 13</b>	65 L2F	1-2990246
	<b>1 to 14</b>	80 L2F	1-2990247
	<b>1 to 14</b>	100 L2F	1-2990248
	<b>1 to 15</b>	125 L2F	1-2990249
	<b>1 to 15</b>	150 L2F	1-2990250

### Clorius Controls A/S

Kajakvej 4 · DK-2770 Kastrup · Denmark  
 Tel: + 45 77 32 31 30 · Fax: +45 77 32 31 31  
 E-mail: mail@cloriuscontrols.com  
 Web: www.cloriuscontrols.com

**Clorius**  
 CONTROLS